

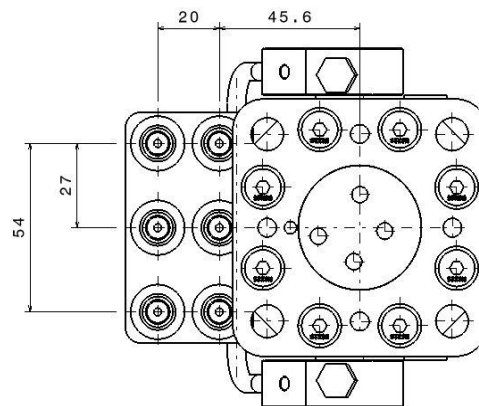
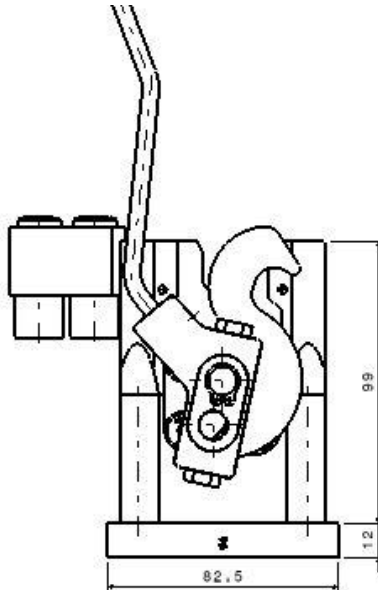
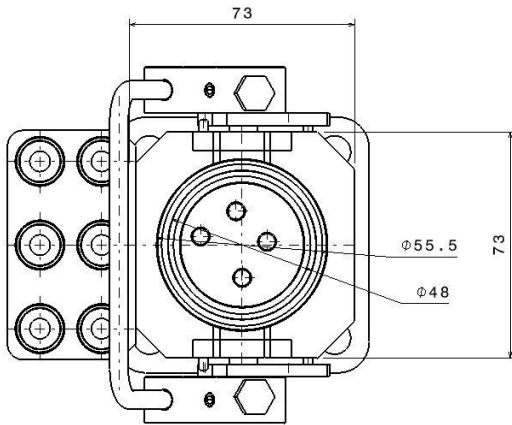
<b>SR. NO.</b>	<b>PART/PRODUCT NAME</b>	<b>PAGE NO.</b>
1	HOUSING/QUICK CHANGE ADAPTER	2-11
2	OTB/ONE TOUCH BOSS / MALE CONNECTOR	12-26
3	CROSS CONNECTORS	26- 45
4	CUP MOUNTING BRACKET/ CUP ATTACHMENTS	46-50
5	U CONNECTOR	51-53
6	SPRING LOADED BRACKET ASSY	54-67
7	SWIVEL ARM ASSEMBLY	68-70
8	BRANCH/ROD	71-73
9	PIPE/ALUMINIUM TUBE	74-75
10	CUSTOMIZED MOUNTINGS	76-86

Part Name: - HOUSING ASSEMBLY 002

Part No: - SAPL-HSG-002

◆ **Specification:**

- **Dimensions :** 82.5x82.5x111 MM
- **Material :** ALUMINIUM
- **Part Weight:** 1.8 Kg.
- **Hardware :** Allen Bolt M6x25 / M6x12 / M5x45

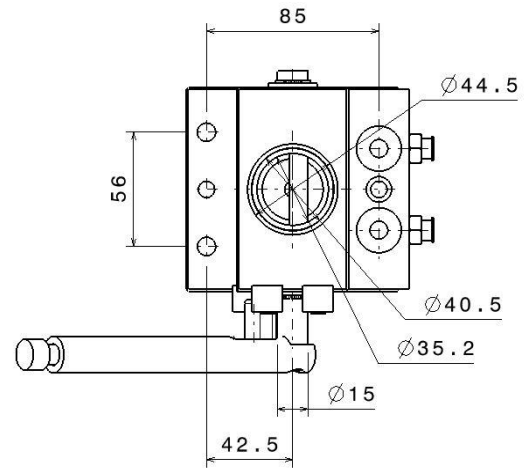
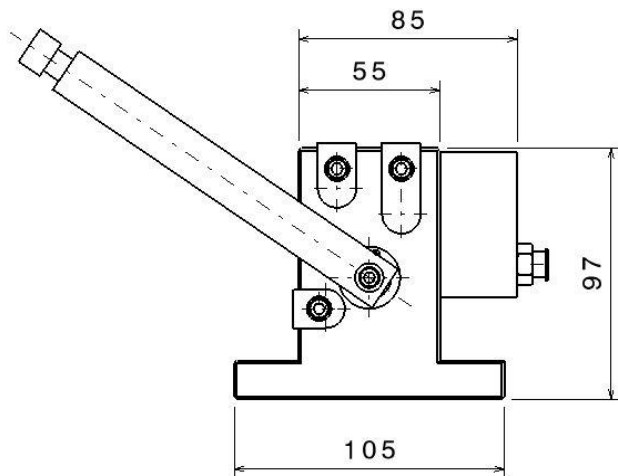
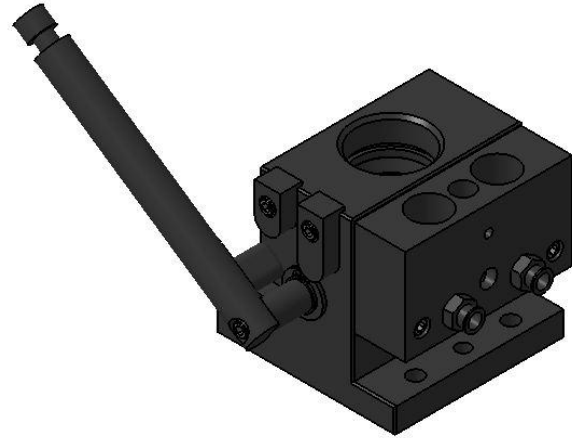


Part Name: - HOUSING ASSEMBLY 003

Part No: - SAPL-HSG-003

◆ **Specification:**

- **Dimensions :** 105X100X97 MM
- **Material :** ALUMINIUM
- **Part Weight:** 2.3 Kg.
- **Hardware :** Allen Bolt M6x1.25 / M5X1

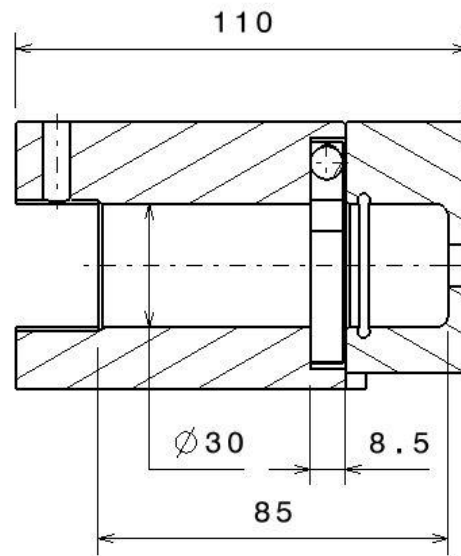
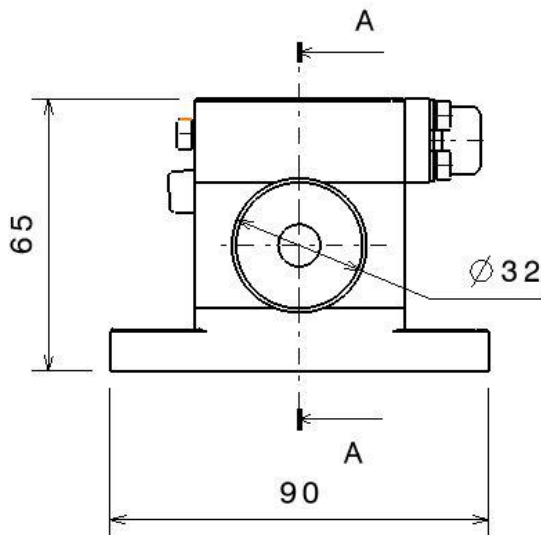
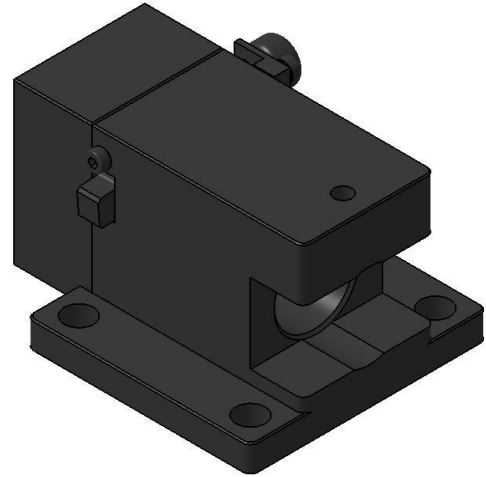


Part Name: - HOUSING ASSEMBLY 004

Part No: - SAPL-HSG-004

◆ **Specification:**

- **Dimensions :** 90X90X110 MM
- **Material :** MS
- **Part Weight:** 2.28 Kg.
- **Hardware :** M3 / M4 / M6X1.25



---

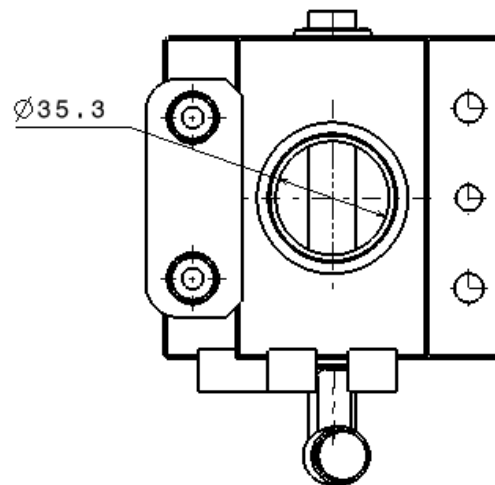
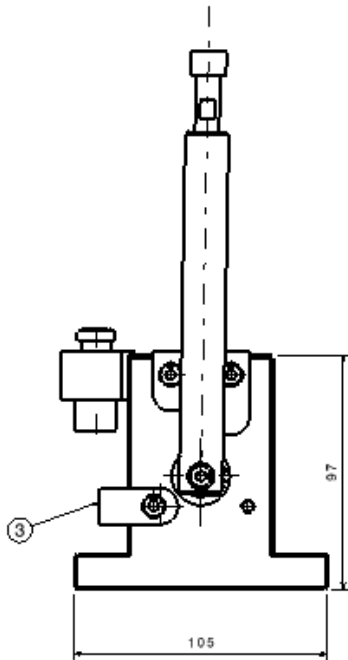
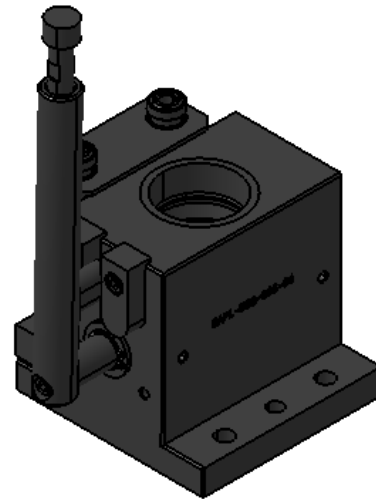
Part Name: - HOUSING ASSEMBLY 006

Part No: - SAPL-HSG-006

---

◆ **Specification:**

- **Dimensions :** 105x97x100 MM
- **Material :** Aluminum
- **Part Weight:** 2.421Kg.
- **Hardware :** Allen M5x15



---

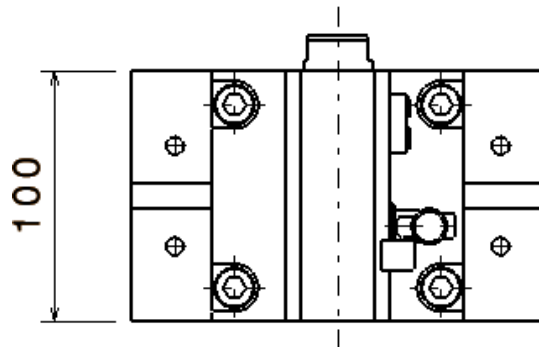
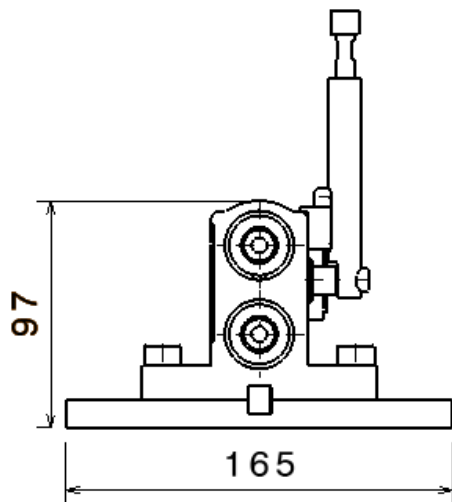
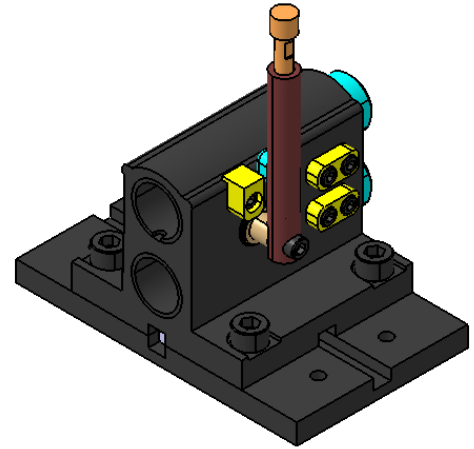
Part Name: - HOUSING ASSEMBLY 008

Part No: - SAPL-HSG-008

---

◆ **Specification:**

- **Dimensions :** 165x97x100 MM
- **Material :** Aluminum
- **Part Weight:** 1.886Kg.
- **Hardware :** Allen M10x25,Allen M5x8.



---

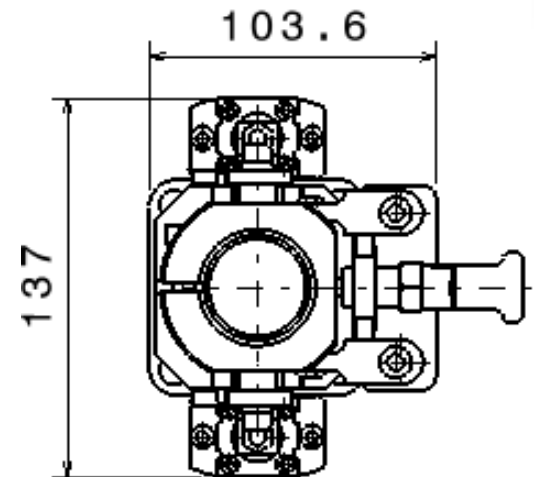
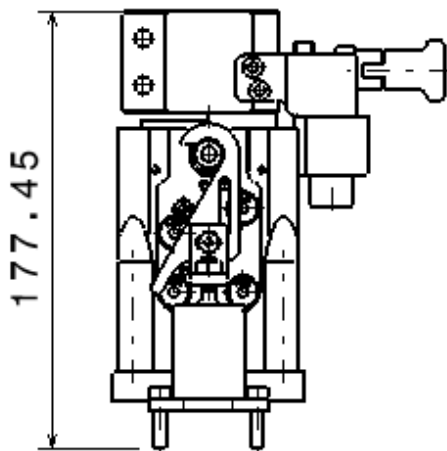
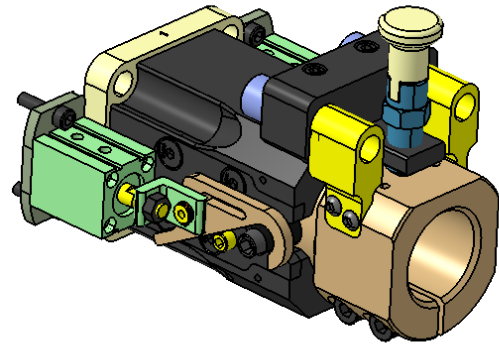
Part Name: - HOUSING ASSEMBLY 009

Part No: - SAPL-HSG-009

---

◆ **Specification:**

- **Dimensions :** 177.45x137x103.6 MM
- **Material :** Aluminium
- **Part Weight:** 1.927Kg.
- **Hardware :** CSK M6x12,Allen M5x30.



---

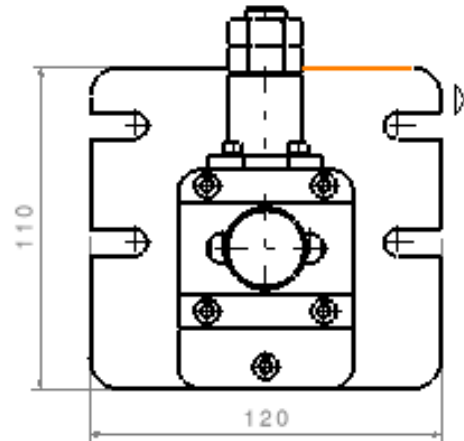
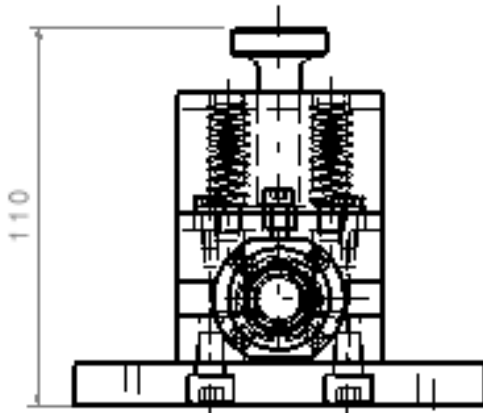
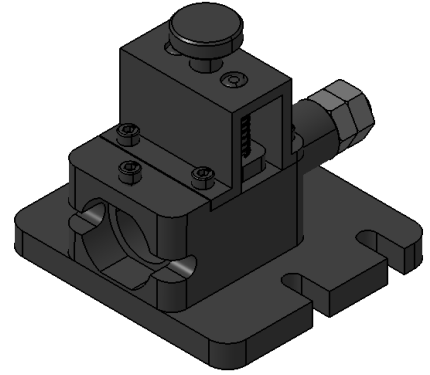
Part Name: - HOUSING ASSEMBLY 011

Part No: - SAPL-HSG-011

---

◆ **Specification:**

- **Dimensions :** 110X120X110 MM
- **Material :** EN31
- **Part Weight:** 1.927Kg.
- **Hardware :** Allen M8x12, Allen M5x10,  
Grub Screw M5x10, Nut M14



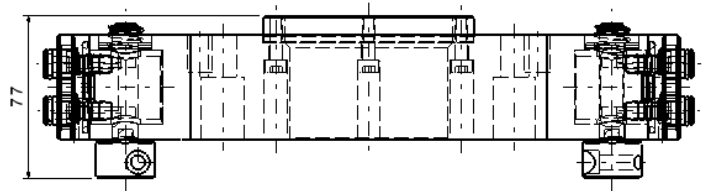
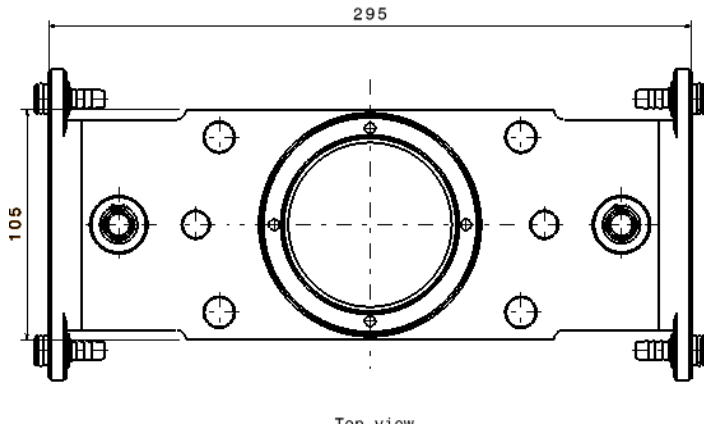
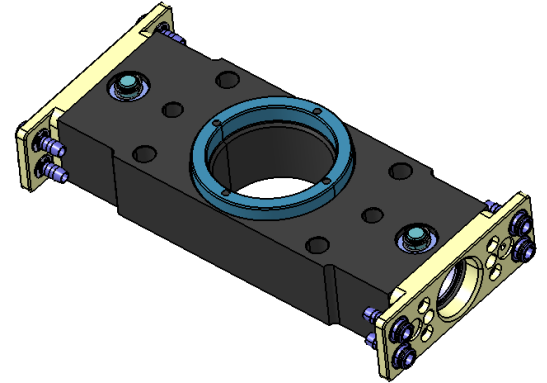


Part Name: - HOUSING ASSEMBLY 013

Part No: - SAPL-HSG-013

◆ **Specification:**

- **Dimensions :** 105x295x77MM
- **Material :** Aluminum
- **Part Weight:** 4.198Kg.
- **Hardware :** Allen M6x20,Circlip D-12,  
Washer Dia-12.3

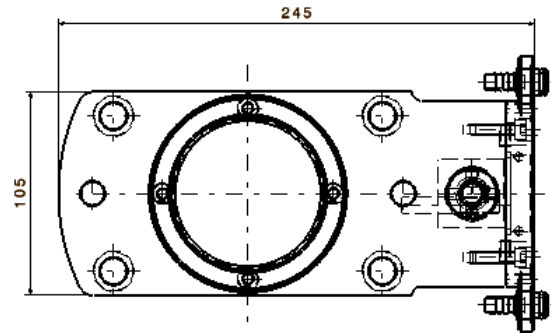
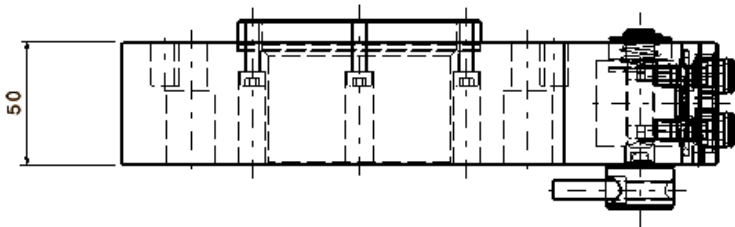
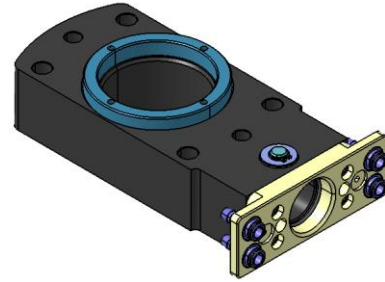


Part Name: - HOUSING ASSEMBLY 014

Part No: - SAPL-HSG-014

◆ **Specification:**

- **Dimensions :** 245x105x50 MM
- **Material :** Aluminium
- **Part Weight:** 3.105 Kg.
- **Hardware :** Allen M6x20,E Clip Id-8,  
Washer ID-12.3,

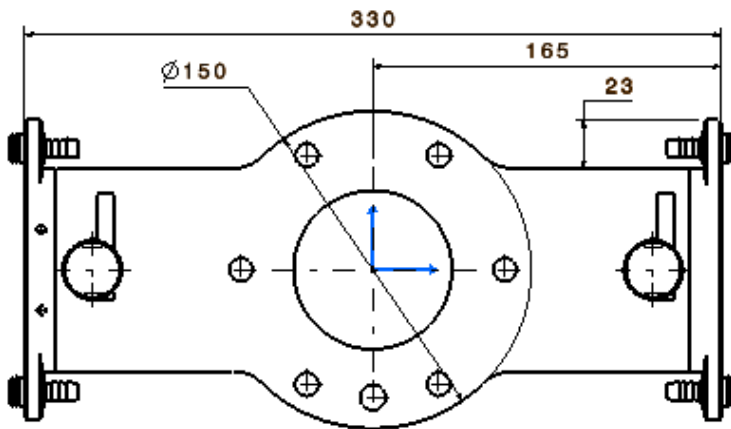
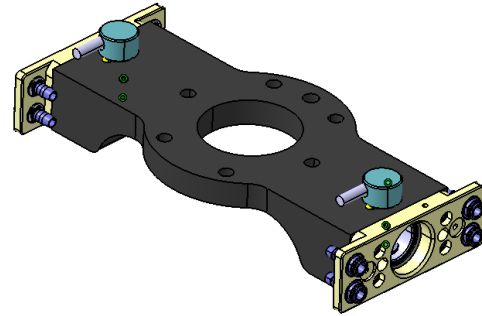


Part Name: - HOUSING ASSEMBLY 015

Part No: - SAPL-HSG-015

◆ **Specification:**

- **Dimensions :** 150x330x73 MM
- **Material :** Aluminium
- **Part Weight:** 3.462 Kg.
- **Hardware :** Allen M6x20,E Clip Id-8,  
Washer ID-12.3,

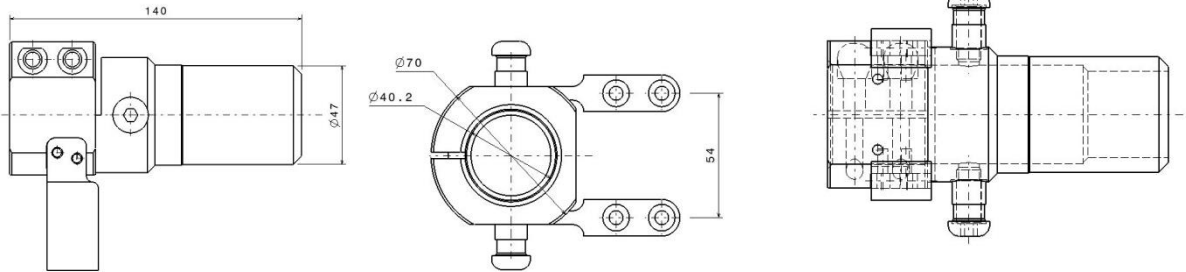
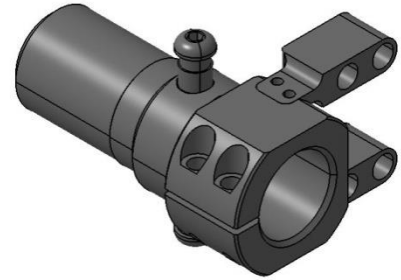


Part Name: - ONE TOUCH BOSS D40

Part No: - SAPL-OTB-D40-001

◆ **Specification:**

- **Dimensions :**  $\varnothing 40 \times L 140$  MM
- **Material :** ALUMINIUM
- **Part Weight:** 0.62 Kg.
- **Hardware:** Allen Bolt M8X1.25, Button Head Bolts M5

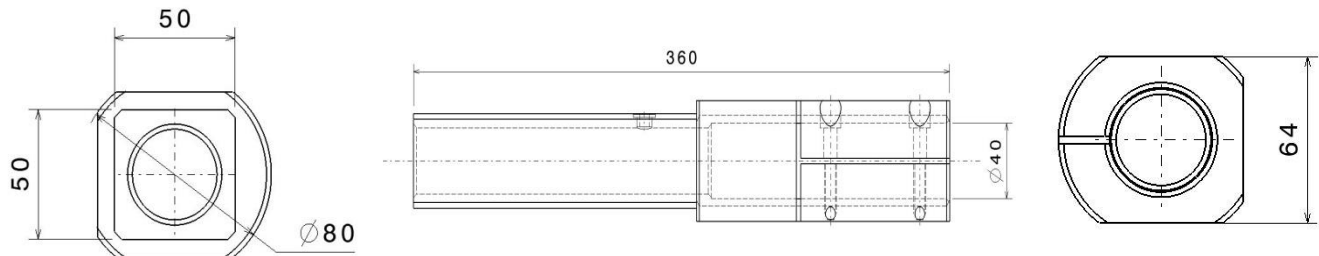


Part Name: - ONE TOUCH BOSS

Part No: - SAPL-OTB-D-40-000

**Specification:**

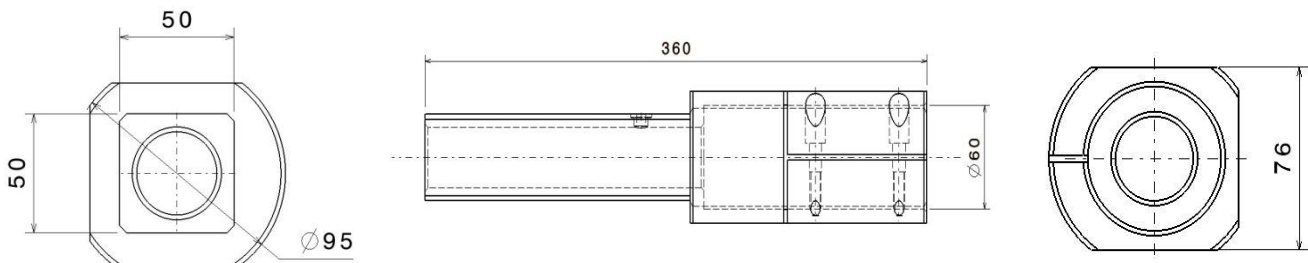
- **Dimensions :**  $\varnothing 40 \times L 360$  MM
- **Material :** ALUMINIUM
- **Part Weight:** 1.815 Kg.
- **Hardware :** Allen Bolts M8X1.2



Part Name: - ONE TOUCH BOSS D60

Part No: - SAPL-OTB-D-60-002

- **Specification**
- **Dimensions :**  $\varnothing 60 \times L 360$  MM
- **Material :** ALUMINIUM
- **Part Weight:** 2.2 Kg.
- **Hardware :** Allen Bolt M8X1.25

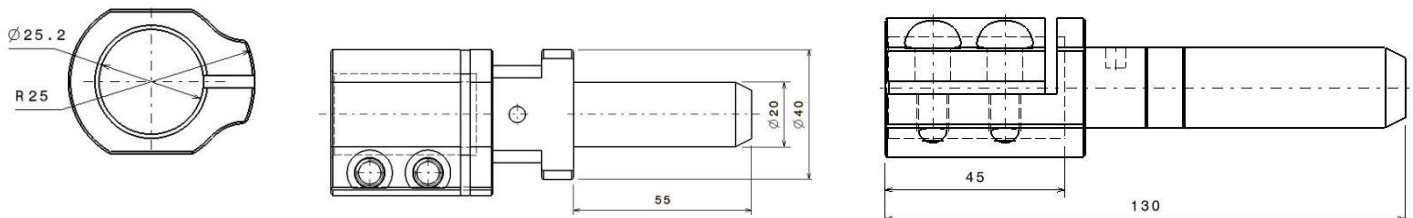
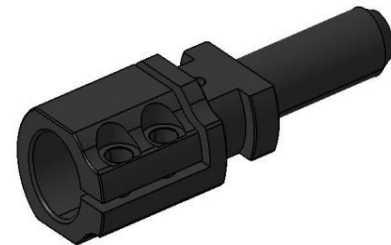


Part Name: - ONE TOUCH BOSS D25

Part No: - SAPL-OTB-D-25-004

◆ **Specification:**

- **Dimensions :**  $\varnothing 25 \times L 130$  MM
- **Material :** C45
- **Part Weight:** 0.540 Kg.
- **Hardware :** Allen Bolts M8X1.25

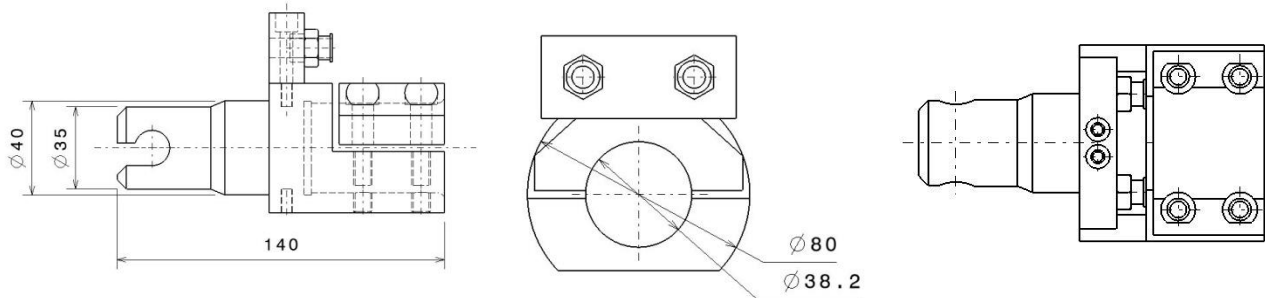
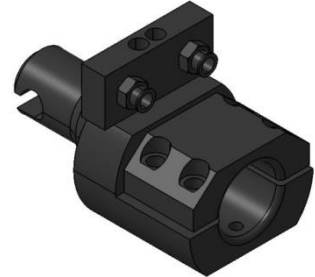


Part Name: - ONE TOUCH BOSS D38

Part No: - SAPL-OTB-D-38-006

◆ **Specification:**

- **Dimensions :**      $\varnothing 38 \times L 140$  MM
- **Material :** Body :- ALUMINIUM , Pneumatics Mount Plate :- EN8
- **Part Weight:**     1 Kg.
- **Hardware:**       Allen Bolts M6X1 , M8X1.25

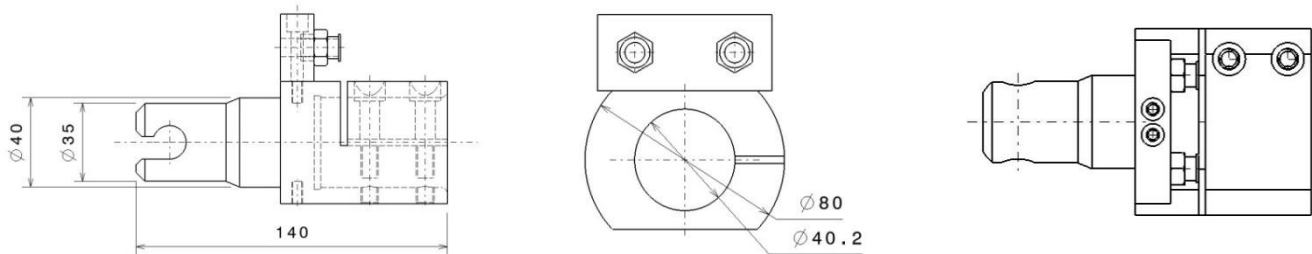


Part Name: - ONE TOUCH BOSS D40

Part No: - SAPL-OTB-D-40-007

◆ **Specification:**

- **Dimensions :**      $\varnothing 40 \times L 140$  MM
- **Material :** Body :- ALUMINIUM , Pneumatic Mount Plate :- EN8
- **Part Weight:**     1 Kg.
- **Hardware :**       Allen Bolts M6X1 , M8X1.25

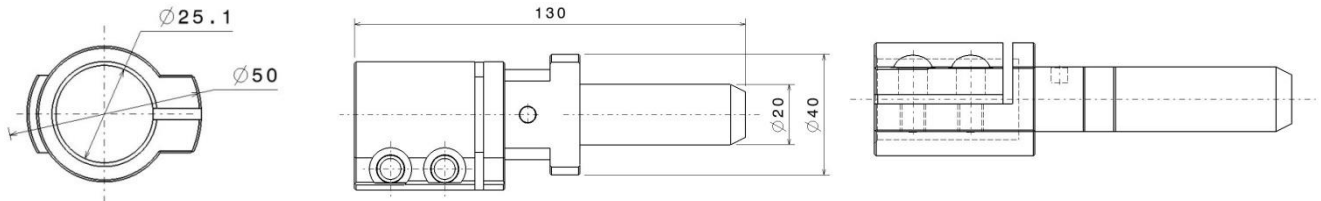
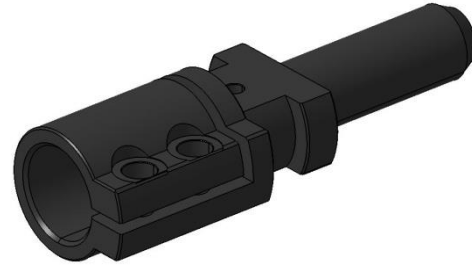


Part Name: - ONE TOUCH BOSS D25

Part No: - SAPL-OTB-D-25-003

◆ **Specification:**

- **Dimensions :**  $\varnothing 25 \times L 130$  MM
- **Material :** C45
- **Part Weight:** 0.650 Kg.
- **Hardware :** Allen Bolts M8X1.25

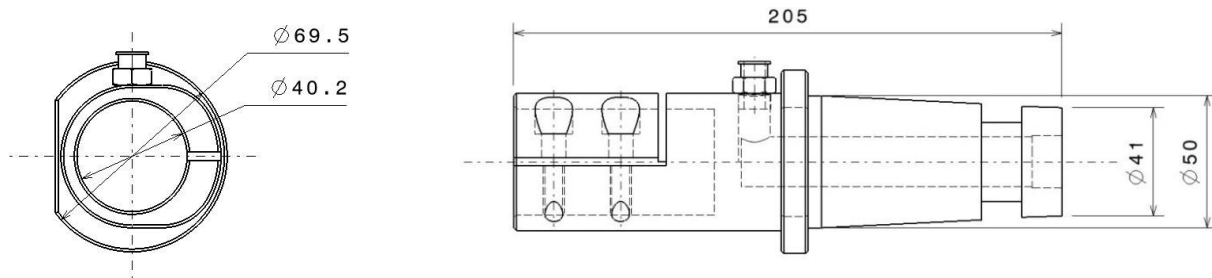


Part Name: - ONE TOUCH BOSS D40

Part No: - SAPL-OTB-D-40-009

◆ **Specification:**

- **Dimensions :**  $\varnothing 40 \times L 205$  MM
- **Material :** EN31
- **Part Weight:** 2.3 Kg.
- **Hardware :** Allen Bolts M8X1.25

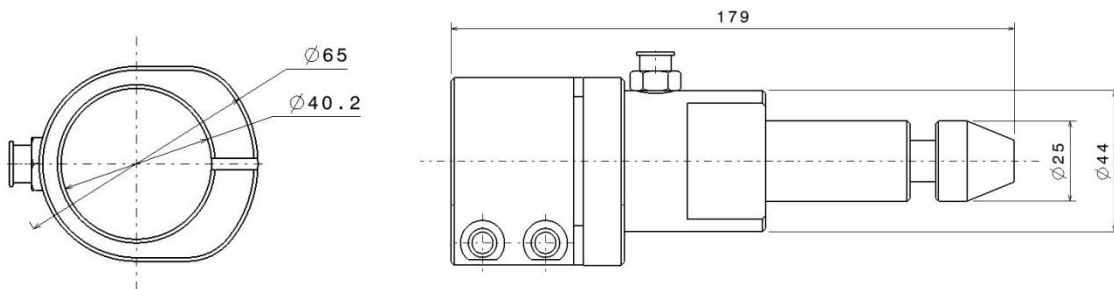
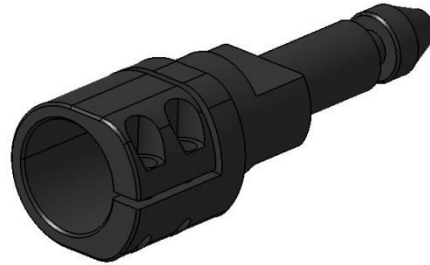


Part Name: - ONE TOUCH BOSS D40

Part No: - SAPL-OTB-D-40-010

◆ **Specification:**

- **Dimensions :**  $\varnothing 40 \times L 179$  MM
- **Material :** EN31
- **Part Weight:** 1.19 Kg.
- **Hardware :** Allen Bolts M8X1.25

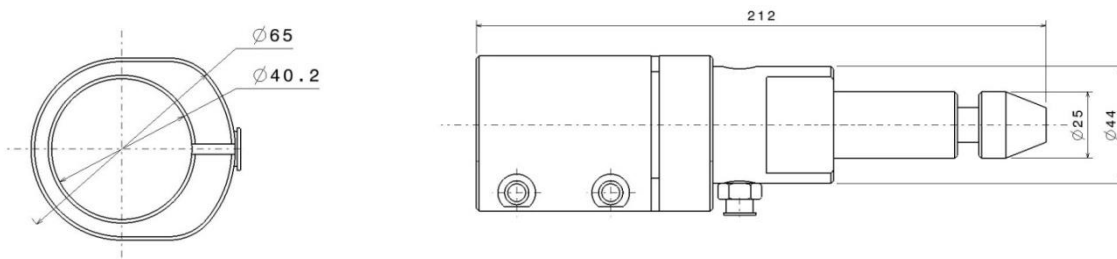


Part Name: - ONE TOUCH BOSS D40

Part No: - SAPL-OTB-D-40-011

◆ **Specification:**

- **Dimensions :**  $\varnothing 40 \times L 212$  MM
- **Material :** EN31
- **Part Weight:** 2.29 Kg.
- **Hardware :** Allen Bolts M8X1.25



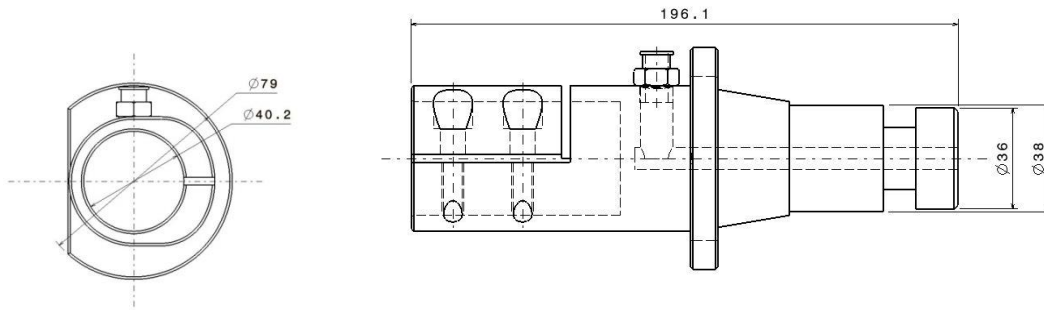


Part Name: - ONE TOUCH BOSS D40

Part No: - SAPL-OTB-D-40-012

◆ **Specification:**

- **Dimensions :**  $\varnothing 40 \times L 196.1$  MM
- **Material :** EN31
- **Part Weight:** 2.21 Kg.
- **Hardware :** Allen Bolts M8X1.25

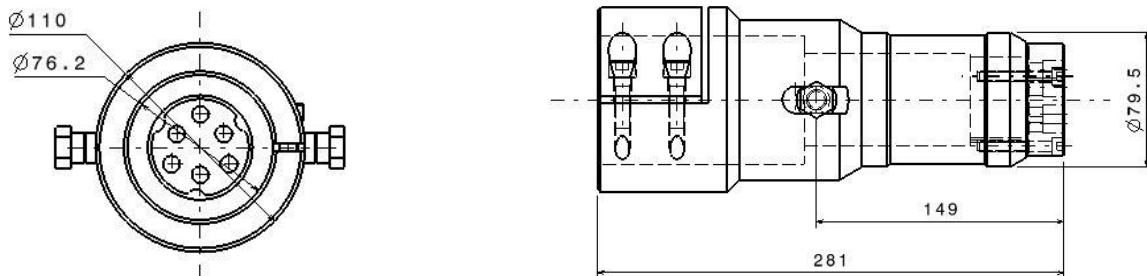


Part Name: -ONE TOCH BOSS D76

Part No: - SAPL-OTB-D76-013

◆ **Specification:**

- **Dimensions :**  $\varnothing 76 \times L 281$  MM
  - **Material :** ALUMINIUM
  - **Part Weight:** 2.8 Kg.
- Hardware :** Allen Bolts M8X1.25,  
Hex Head Bolt M12X1.5

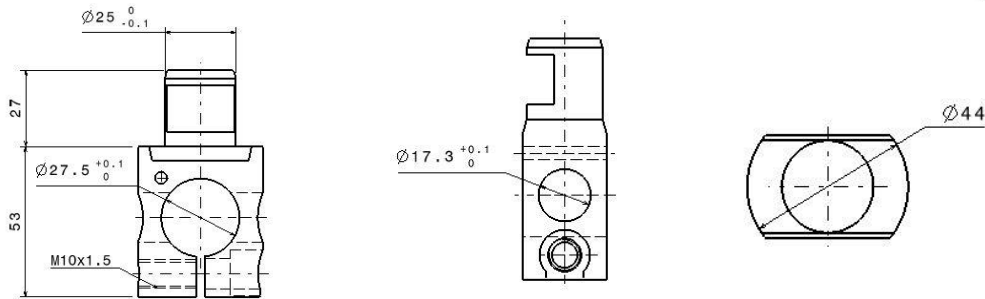


Part Name: - ONE TOUCH BOSS D27.5

Part No: - SAPL-OTB-D-27.5-014

◆ **Specification:**

- **Dimensions :**  $\varnothing 27.5 \times L 80$  MM
- **Material :** C45
- **Part Weight:** 0.350 Kg.
- **Hardware :** Allen Bolts M10x1.5

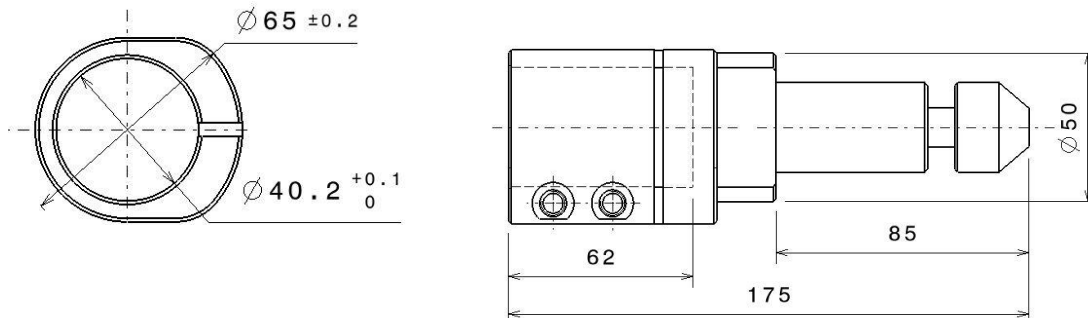


Part Name: - ONE TOUCH BOSS D40

Part No: - SAPL-OTB-D-40-015

◆ **Specification:**

- **Dimensions :**  $\varnothing 40 \times L 160$  MM
- **Material :** EN8
- **Part Weight:** 1.14 Kg.
- **Hardware :** Allen Bolts M8X1.25



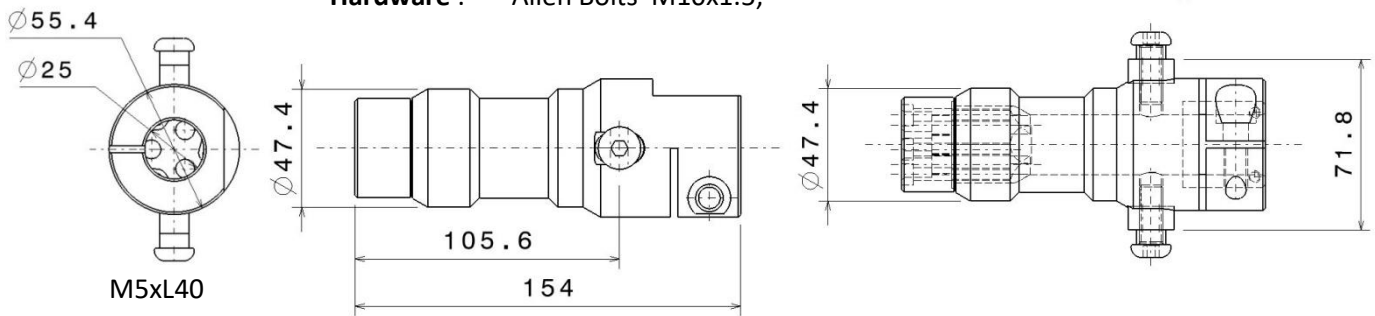
Part Name: - ONE TOUCH BOSS D25

Part No: - SAPL-OTB-D-25-016

◆ **Specification:**

- **Dimensions :**  $\varnothing 25 \times L 154$  MM
- **Material :** ALUMINIUM
- **Part Weight:** 0.630 Kg.

**Hardware :** Allen Bolts M10x1.5,



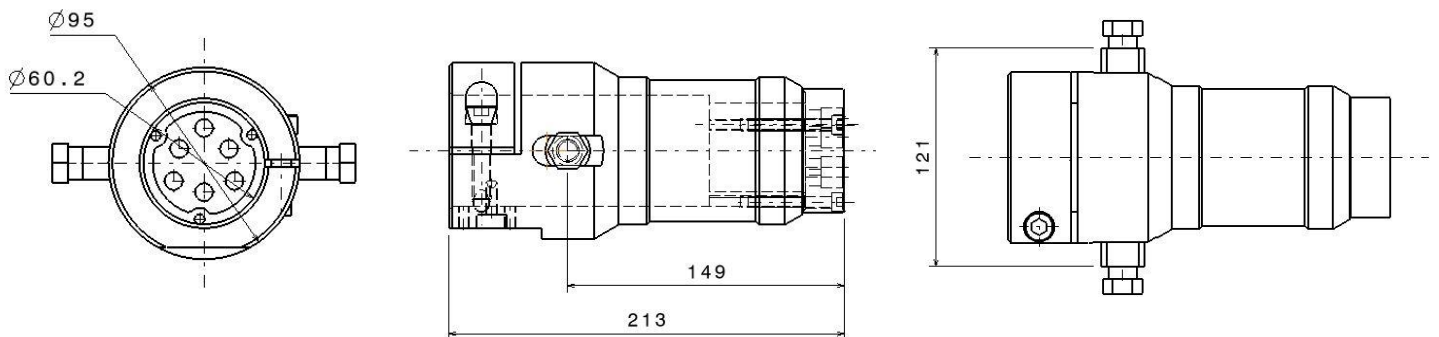
Part Name: - ONE TOUCH BOSS D60

Part No: - SAPL-OTB-D-60-017

◆ **Specification:**

- **Dimensions :**  $\varnothing 60 \times L 213$  MM
- **Material :** ALUMINIUM
- **Part Weight:** 1.9 Kg.

**Hardware :** Allen Bolts M10x1.5, M6xL40, M6xL10,  
Hex Head Bolt, M12X1.5,

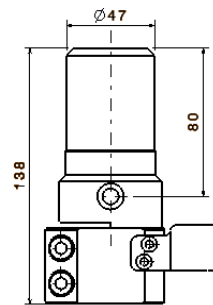
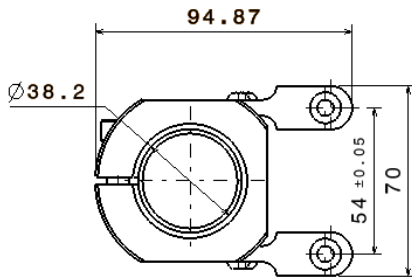
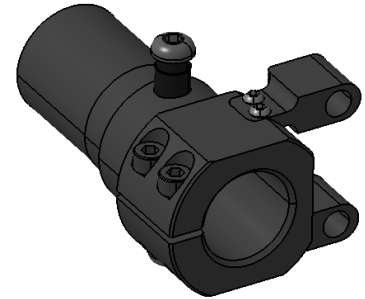


Part Name: - ONE TOUCH BOSS D38

Part No: - SAPL-OTB-D-38-018

◆ **Specification:**

- **Dimensions :**  $\varnothing 38 \times 138$  MM
- **Material :** ALUMINIUM
- **Part Weight:** 0.565 Kg.
- **Hardware :** Button Bolts M10x1.5, Allen M8x30, Button bolt M5xL12, Bush,

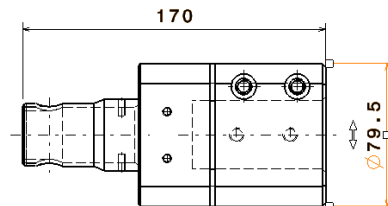
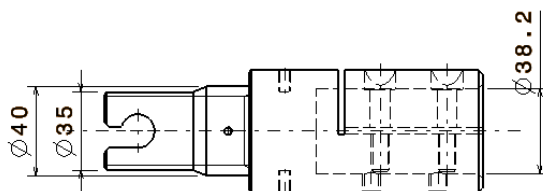
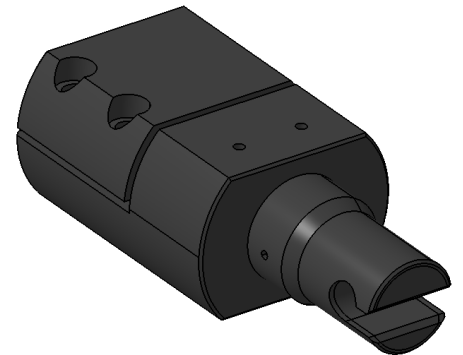


Part Name: - ONE TOUCH BOSS D38

Part No: - SAPL-OTB-D-38-019

◆ **Specification:**

- **Dimensions :**  $\varnothing 38 \times 170$  MM
- **Material :** ALUMINIUM
- **Part Weight:** 0.971 Kg.
- **Hardware :** Allen M8x30,

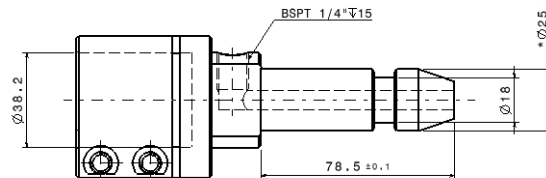
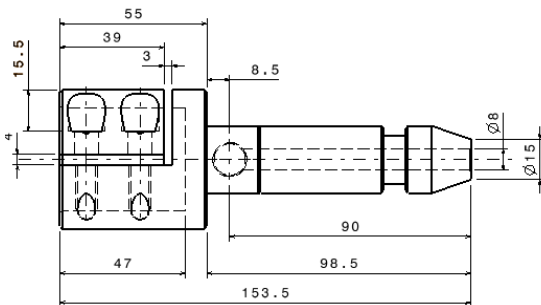
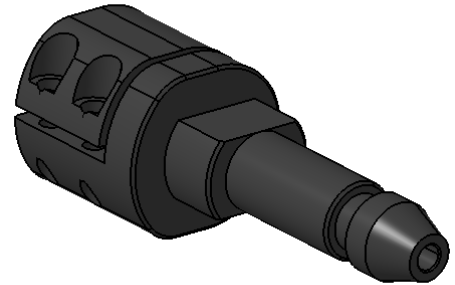


Part Name: - ONE TOUCH BOSS D38

Part No: - SAPL-OTB-D-38-020

◆ **Specification:**

- **Dimensions :**  $\varnothing 38 \times 153.5$  MM
- **Material :** Steel
- **Part Weight:** 0.935 Kg.
- **Hardware :** Allen M8x30,

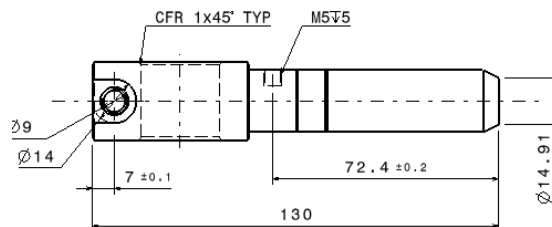
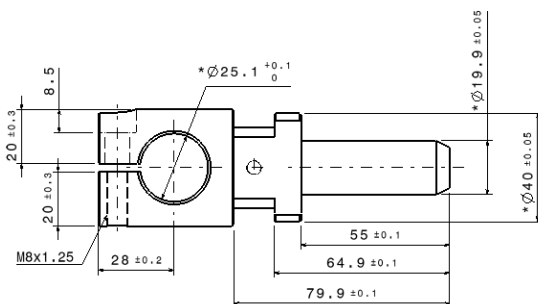
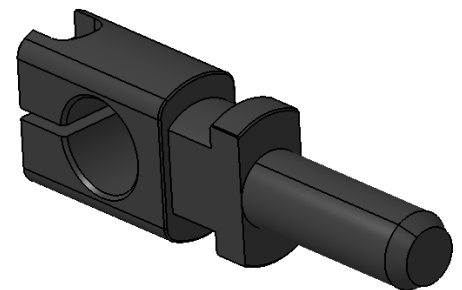


Part Name: - ONE TOUCH BOSS D25

Part No: - SAPL-OTB-D-25-021

◆ **Specification:**

- **Dimensions :**  $\varnothing 25 \times 130$  MM
- **Material :** Steel
- **Part Weight:** 0.521 Kg.
- **Hardware :** Allen M8x30,

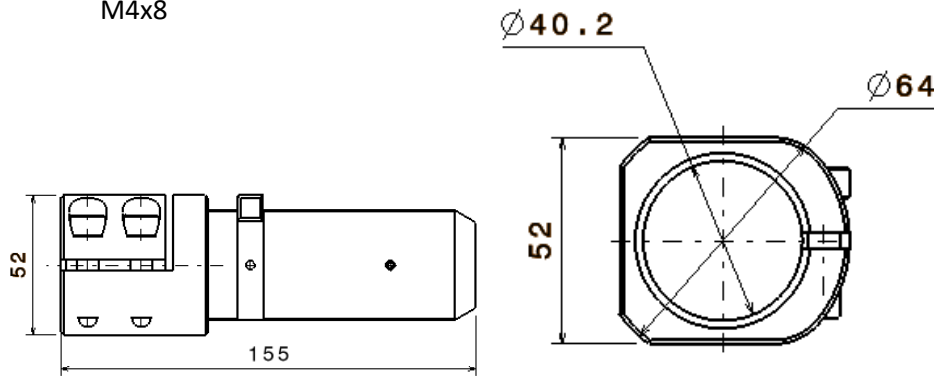
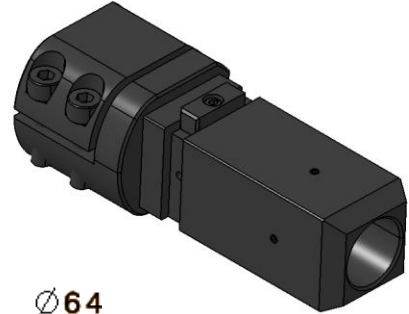


Part Name: - ONE TOUCH BOSS D40

Part No: - SAPL-OTB-D-40-022

◆ **Specification:**

- **Dimensions :**  $\varnothing 40 \times 155$  MM
- **Material :** Steel
- **Part Weight:** 1.563 Kg.
- **Hardware :** Allen M8x30, Allen M4x10, Grub Screw M4x8

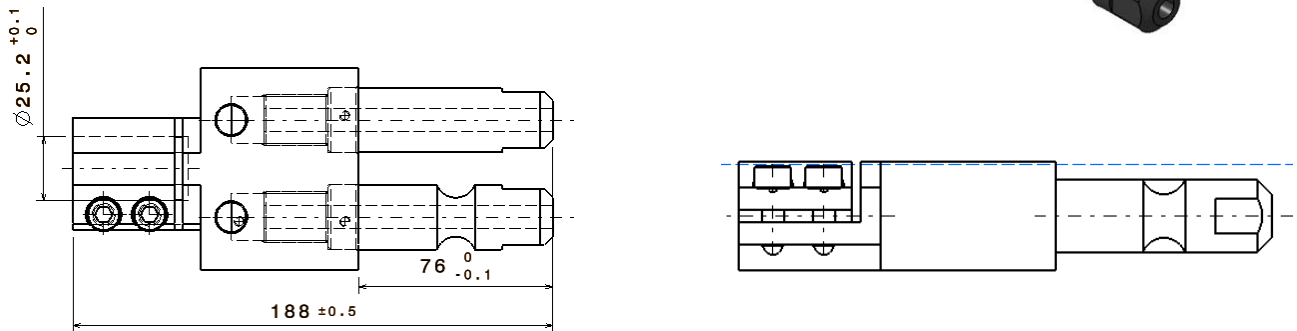
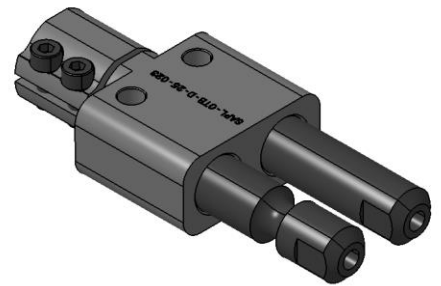


Part Name: - ONE TOUCH BOSS D25

Part No: - SAPL-OTB-D-25-023

◆ **Specification:**

- **Dimensions :**  $\varnothing 25 \times 188$  MM
- **Material :** Steel
- **Part Weight:** 2.14 Kg.
- **Hardware :** Allen M8x20,

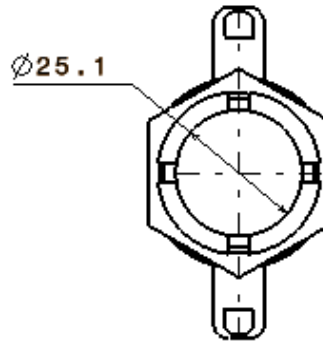
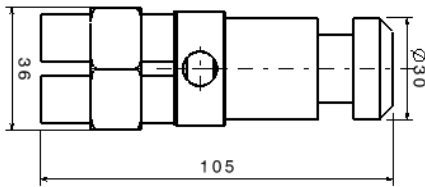


Part Name: - ONE TOUCH BOSS D25

Part No.:- SAPL-OTB-D-25-024

◆ **Specification:**

- **Dimensions :**  $\varnothing 25 \times L105$  MM
- **Material :** Steel
- **Part Weight:** 0.443 Kg.
- **Hardware :** Allen M8x20, Guide Pin, Ring Nut M33,

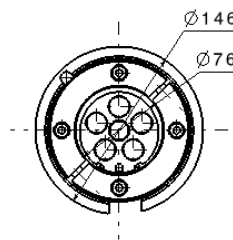
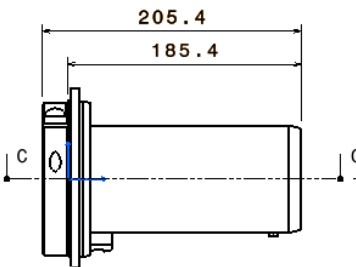


Part Name: - ONE TOUCH BOSS D76

Part No.:- SAPL-OTB-D-76-025

◆ **Specification:**

- **Dimensions :**  $\varnothing 76 \times L205$  MM
- **Material :** Aluminum
- **Part Weight:** 2.149 Kg.
- **Hardware :** Allen M8x30, Allen M10x35, ID Circlip 76.2, Spring Dowel

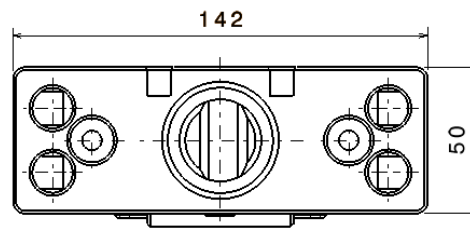
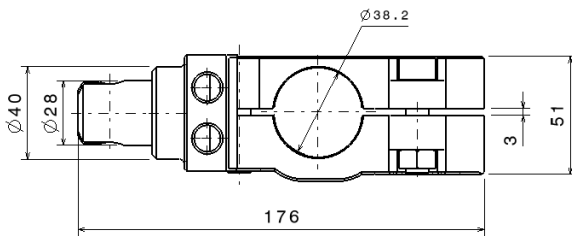
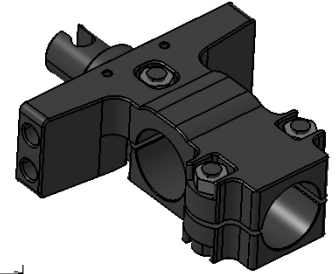


Part Name: - ONE TOUCH BOSS D38

Part No.:- SAPL-OTB-D-38-026

◆ **Specification:**

- **Dimensions :**  $\varnothing 38 \times 176$  MM
- **Material :** Aluminum
- **Part Weight:** 2.211 Kg.
- **Hardware :** Nut M10, Allen M10x40,

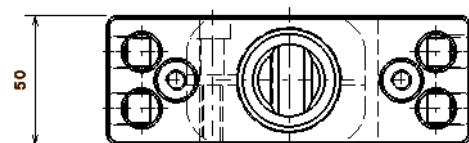
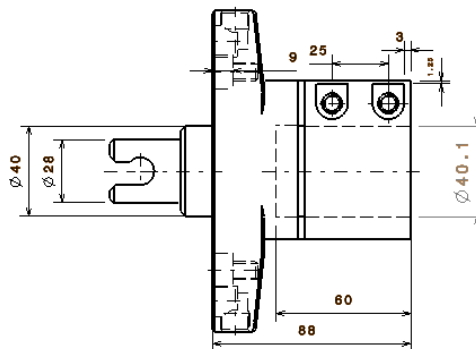
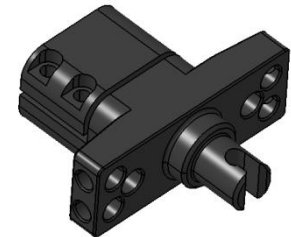


Part Name: - ONE TOUCH BOSS D40

Part No.:- SAPL-OTB-D-40-027

◆ **Specification:**

- **Dimensions :**  $\varnothing 40 \times 138$  MM
- **Material :** Aluminum
- **Part Weight:** 0.806 Kg.
- **Hardware :** Allen M10x30



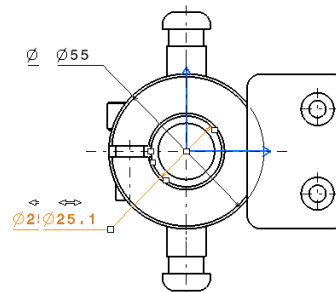
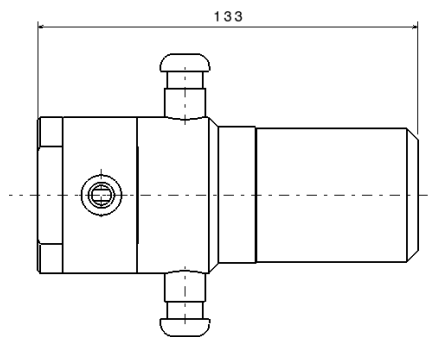
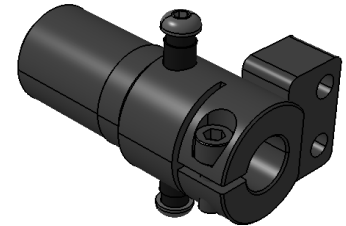


Part Name: - ONE TOUCH BOSS D25

Part No.:- SAPL-OTB-D-25-029

◆ **Specification:**

- **Dimensions :**  $\varnothing 25 \times 133$  MM
- **Material :** Aluminum
- **Part Weight:** 0.610 Kg.
- **Hardware :** Allen M10x25, Lock Pin, Pneumatic Body

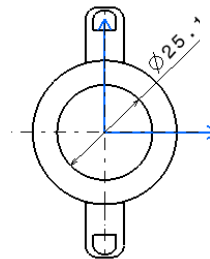
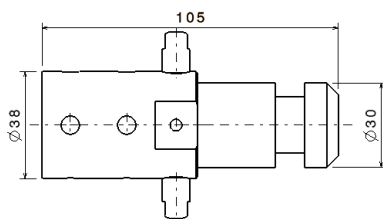
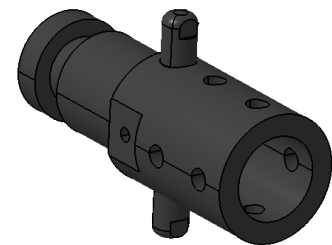


Part Name: - ONE TOUCH BOSS D25

Part No.:- SAPL-OTB-D-25-030

◆ **Specification:**

- **Dimensions :**  $\varnothing 25 \times 105$  MM
- **Material :** EN31
- **Part Weight:** 0.537 Kg.
- **Hardware :** Allen M10x25, Lock Pin

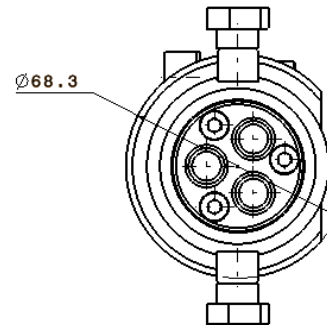
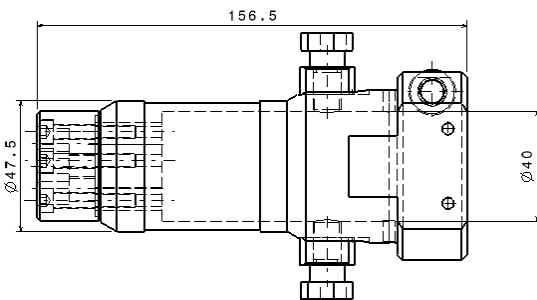
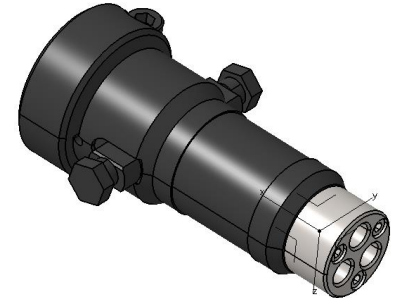


Part Name: - ONE TOUCH BOSS D40

Part No.:- SAPL-OTB-D-40-031

◆ **Specification:**

- **Dimensions :**  $\varnothing 40 \times 156.5$  MM
- **Material :** ALUMINIUM
- **Part Weight:** 0.450 Kg.
- **Hardware :** Allen M10x25, Lock Pin, Pneumatic Body

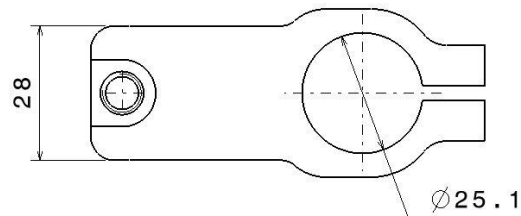
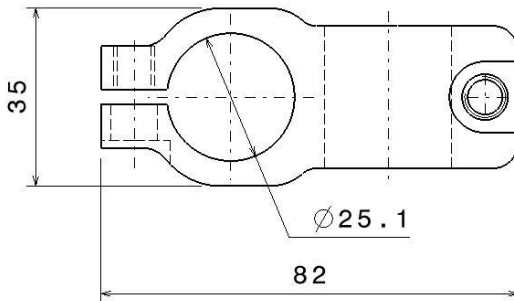


Part Name: - CROSS CONNECTOR D25X25

Part No: - SAPL-C-D-25X25-001

◆ **Specification:**

- **Dimensions :** 28X35X82 MM
- **Material :** ALUMINUM
- **Part Weight:** 0.100 Kg.
- **Hardware:** Allen Bolt M8X1.25

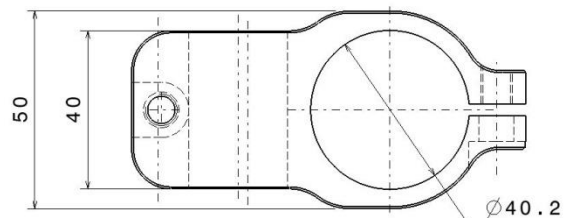
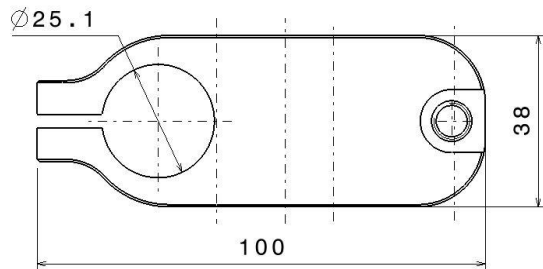


Part Name: - CROSS CONNECTOR D40X25

Part No: - SAPL-C-D-40X25-003

◆ **Specification:**

- **Dimensions :** 38X50X101 MM
- **Material :** ALUMINUM
- **Part Weight:** 0.175 Kg.
- **Hardware:** Allen Bolt M8X1.25

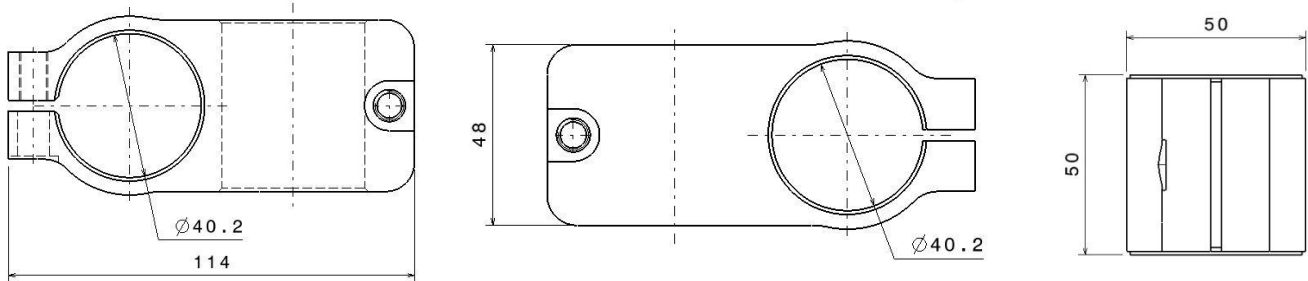


Part Name: - CROSS CONNECTOR D40X40

Part No: - SAPL-C-D-40X40-001

◆ **Specification:**

- **Dimensions :** 50X50X114 MM
- **Material :** ALUMINUM
- **Part Weight:** 0.270 Kg.
- **Hardware:** Allen Bolt M8X1.25

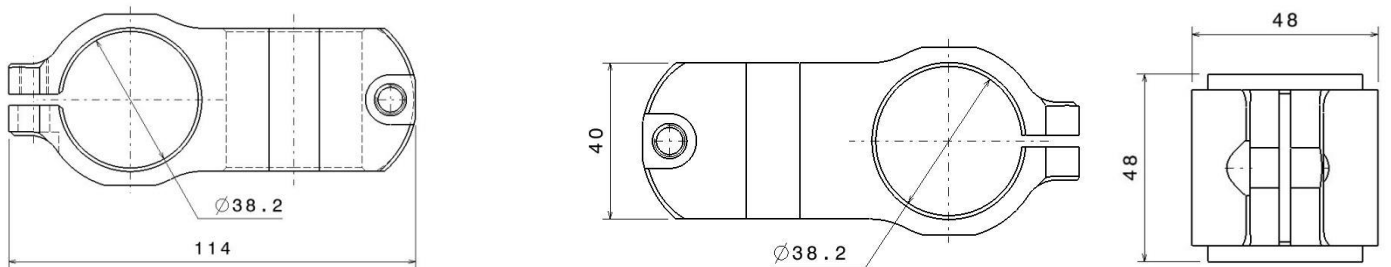


Part Name: - CROSS CONNECTOR D38X38

Part No: - SAPL-C-D-38X38-001

◆ **Specification:**

- **Dimensions :** 48X48X114 MM
- **Material :** ALUMINUM
- **Part Weight:** 0.25 Kg.
- **Hardware:** Allen Bolt M8X1.25

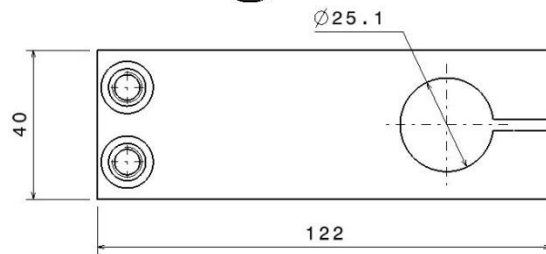
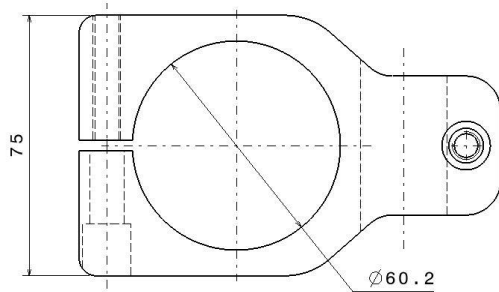
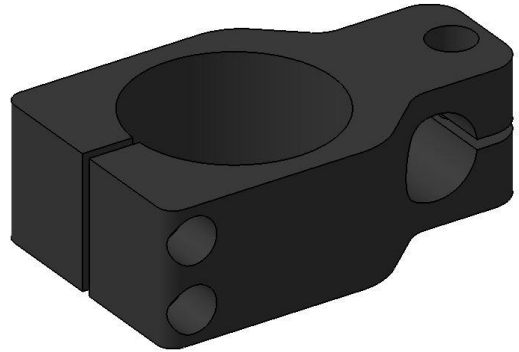


Part Name: - CROSS CONNECTOR D60X25

Part No: - SAPL-C-D-60X25-001

◆ **Specification:**

- **Dimensions :** 75X40X122 MM
- **Material :** ALUMINUM
- **Part Weight:** 0.45 Kg.
- **Hardware:** Allen Bolt M8X1.25

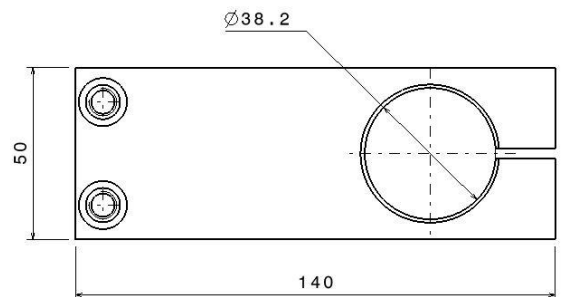
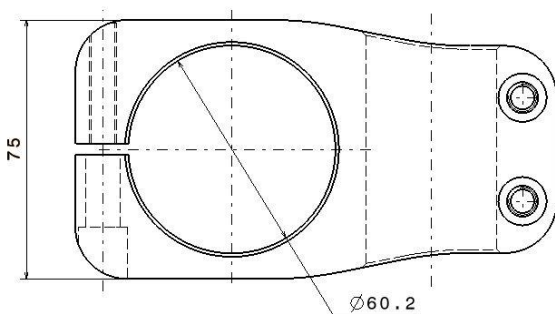
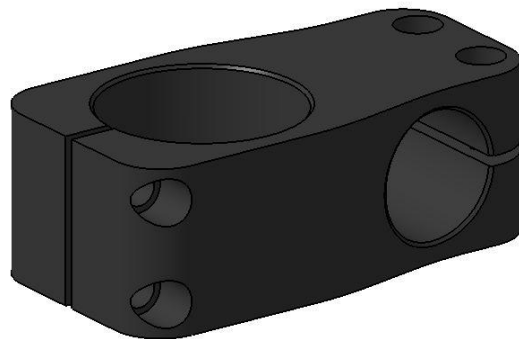


Part Name: - CROSS CONNECTOR D60X38

Part No: - SAPL-C-D-60X38-001

◆ **Specification:**

- **Dimensions :** 50X75X140 MM
- **Material :** ALUMINUM
- **Part Weight:** 0.66 Kg.
- **Hardware:** Allen Bolt M8X1.25

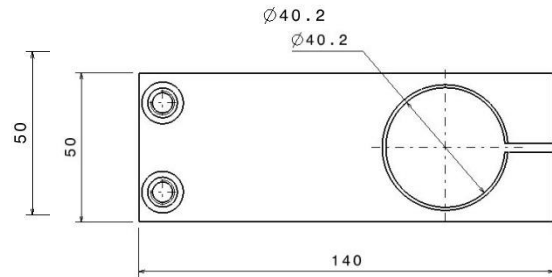
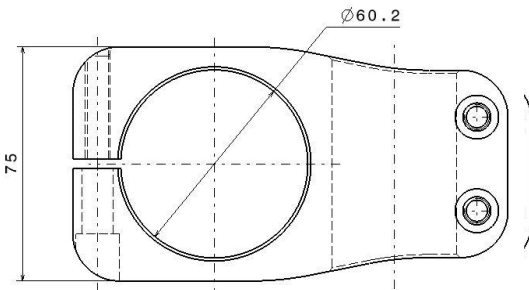
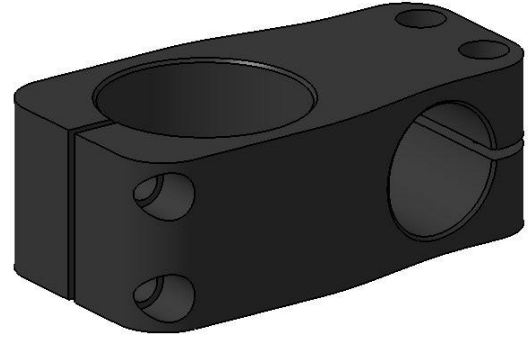


Part Name: - CROSS CONNECTOR D60X40

Part No: - SAPL-C-D-60X40-001

◆ **Specification:**

- **Dimensions :** 75X50X140 MM
- **Material :** ALUMINUM
- **Part Weight:** 0.630 Kg.
- **Hardware:** Allen Bolt M8X1.25

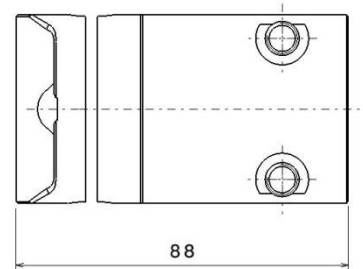
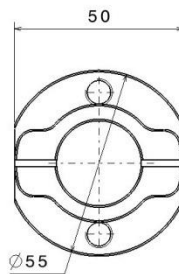
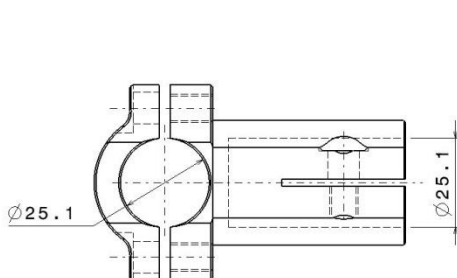


Part Name: - T CROSS CONNECTOR D25X25

Part No: - SAPL-TC-D-25X25-001

◆ **Specification:**

- **Dimensions :** Ø55X88 MM
- **Material :** ALUMINUM
- **Part Weight:** 0.201 Kg
- **Hardware:** Allen Bolt M8X1.25

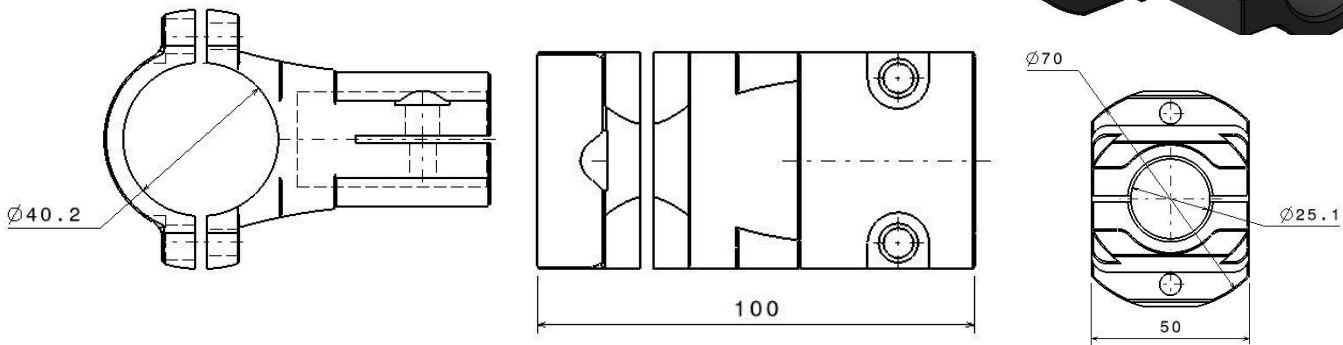
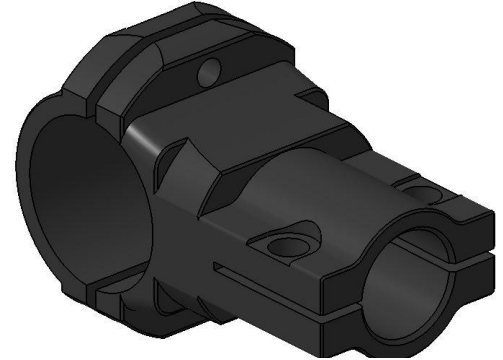


Part Name: - T CROSS CONNECTOR D40X25

Part No: - SAPL-TC-D-40X25-001

◆ **Specification:**

- **Dimensions :**  $\varnothing 70 \times 100$  MM
- **Material :** ALUMINUM
- **Part Weight:** 0.240 Kg.
- **Hardware:** Allen Bolt M8X1.25

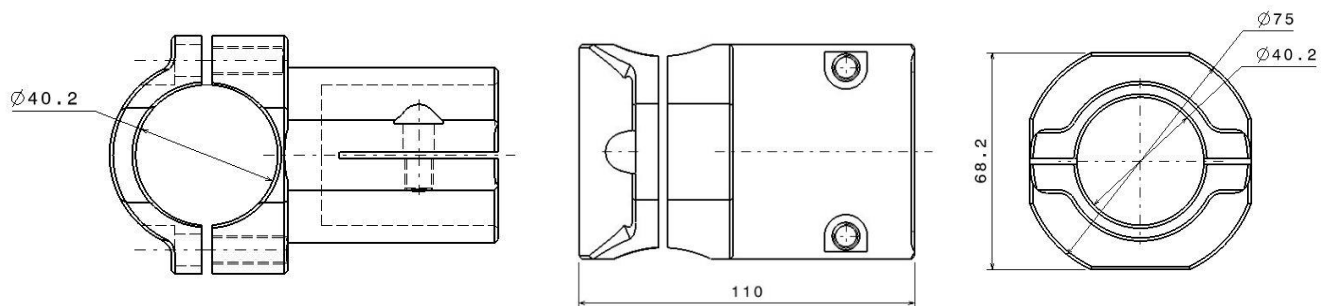
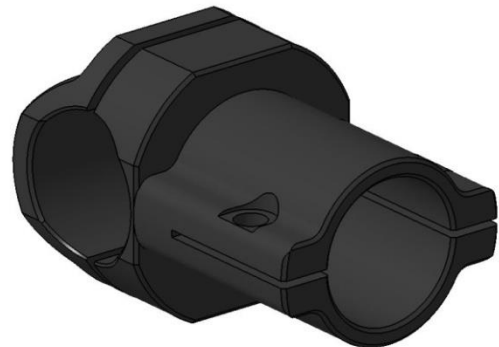


Part Name: - T CROSS CONNECTOR D40X40

Part No: - SAPL-TC-D-40X40-001

◆ **Specification:**

- **Dimensions :**  $\varnothing 75 \times 110$  MM
- **Material :** ALUMINUM
- **Part Weight:** 0.440 Kg.
- **Hardware:** Allen Bolt M8X1.25

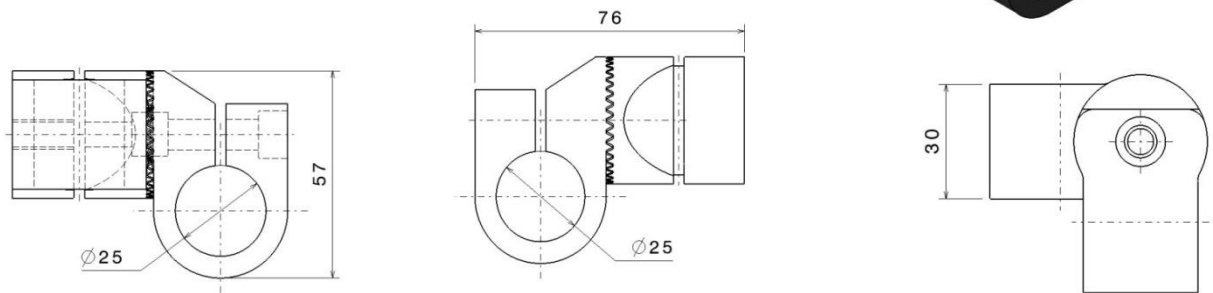


Part Name: - Angular Cross Connector D25X25

Part No: - SAPL-C-D-25X25-002

◆ **Specification:**

- **Dimensions :** 30X57X76 MM
- **Material :** ALUMINUM
- **Part Weight:** 0.220 Kg.
- **Hardware:** Allen Bolt M8X1.25

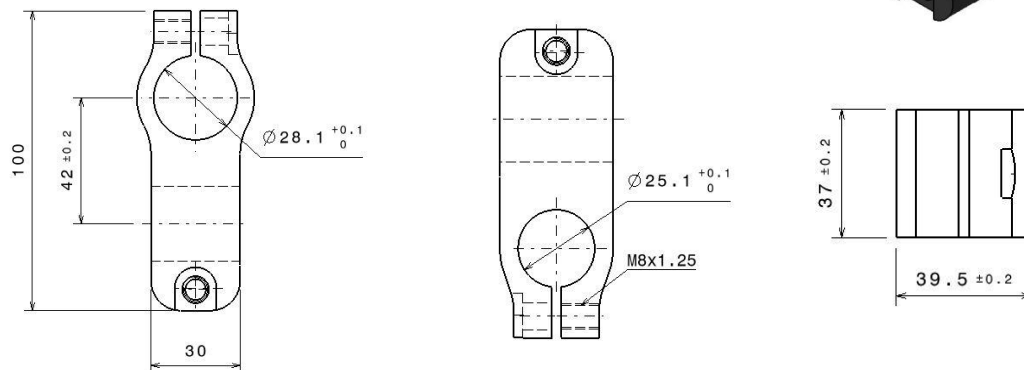


Part Name: - CROSS CONNECTOR D28X25

Part No: - SAPL-C-D-28X25-001

◆ **Specification:**

- **Dimensions :** 39.5X37X100 MM
- **Material :** ALUMINUM
- **Part Weight:** 0.187 Kg.
- **Hardware:** Allen Bolt M8X1.25



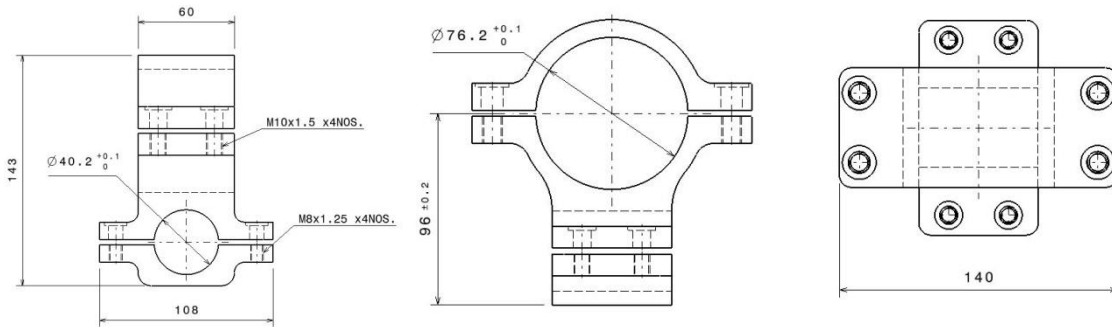


Part Name: - T CROSS CONNECTOR D76X40

Part No: - SAPL-C-D-76X40-001

◆ **Specification:**

- **Dimensions :** 140X108X143 MM
- **Material :** ALUMINUM
- **Part Weight:** 0.880 Kg.
- **Hardware:** Allen Bolt M8X1.25

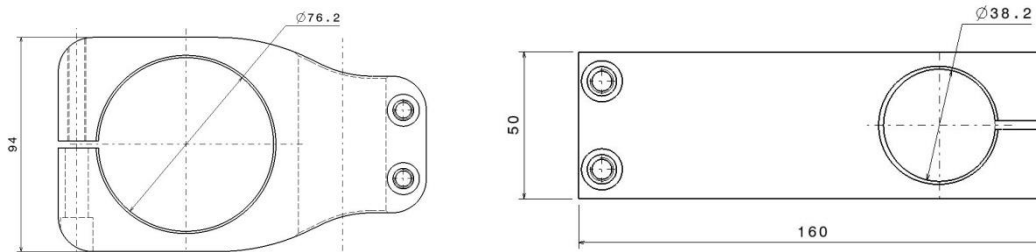


Part Name: - Angular Cross Connector D76X38

Part No: - SAPL-C-D-76X38-002

◆ **Specification:**

- **Dimensions :** 94X50X160 MM
- **Material :** ALUMINUM
- **Part Weight:** 1.030 Kg.
- **Hardware:** Allen Bolt M10X1.5, M8X1.25

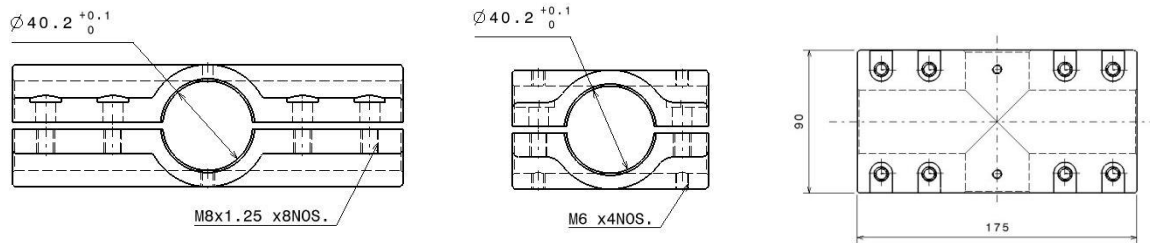


Part Name: - PLUS CONNECTOR D40X40

Part No: - SAPL-PC-D-40X40-001

◆ **Specification:**

- **Dimensions :** 175X90X55 MM
- **Material :** ALUMINUM
- **Part Weight:** 0.840 Kg.
- **Hardware:** Allen Bolt M8X1.25

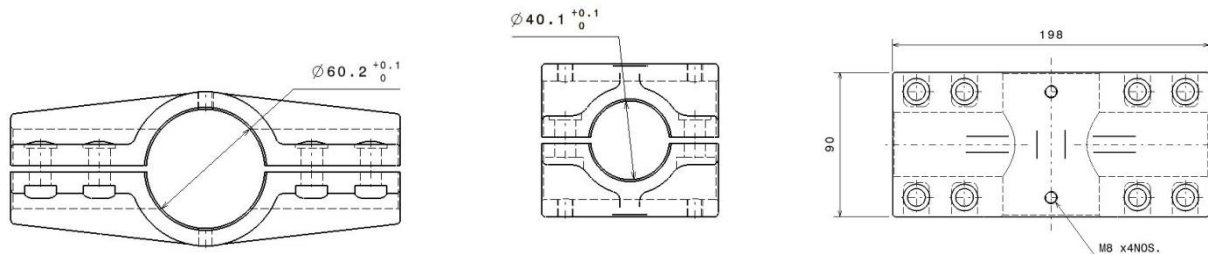


Part Name: - PLUS CONNECTOR D60X40

Part No: - SAPL-PC-D-60X40-001

◆ **Specification:**

- **Dimensions :** 198X90X78 MM
- **Material :** ALUMINUM
- **Part Weight:** 1.02 Kg.
- **Hardware:** Allen Bolt M10X1.5, Nut M10

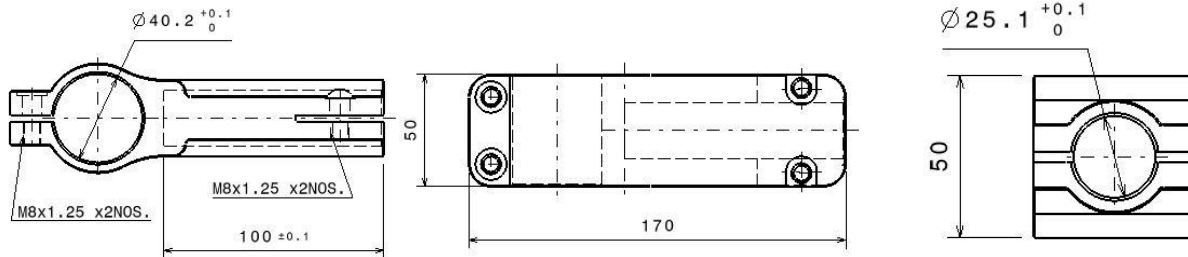


Part Name: - T CROSS CONNECTOR D40X25

Part No: - SAPL-TC-D-40X25-002

◆ **Specification:**

- **Dimensions :** 170X50X50 MM
- **Material :** ALUMINUM
- **Part Weight:** 0.810 Kg.
- **Hardware:** Allen Bolt M8X1.25, Nut M8

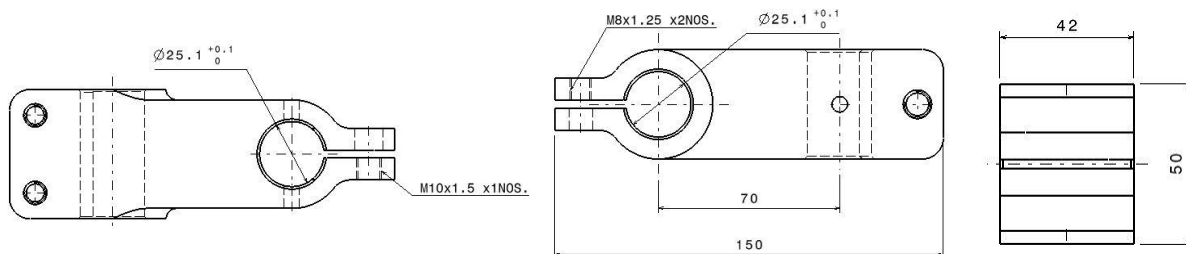


Part Name: - CROSS CONNECTOR D25X25

Part No: - SAPL-C-D-25X25-003

◆ **Specification:**

- **Dimensions :** 42X50X150 MM
- **Material :** ALUMINUM
- **Part Weight:** 0.470 Kg.
- **Hardware:** Allen Bolt M8X1.25

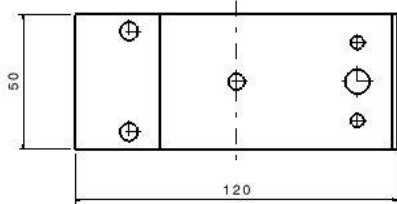
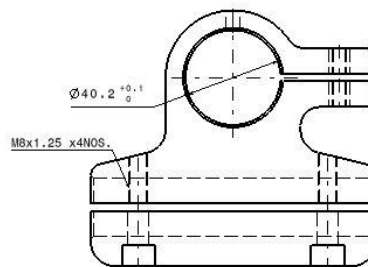
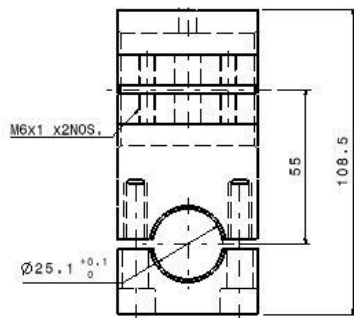


Part Name: - CROSS CONNECTOR D40X25X25

Part No: - SAPL-C-D-40X25X25-001

◆ **Specification:**

- **Dimensions :** 50X108X120 MM
- **Material :** ALUMINUM
- **Part Weight:** 0.880 Kg.
- **Hardware:** Allen Bolt M8X1.25, Allen Bolt M6X1

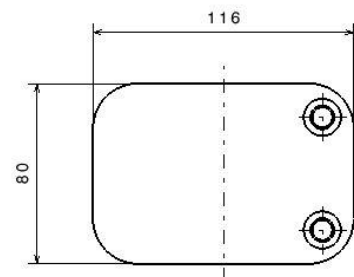
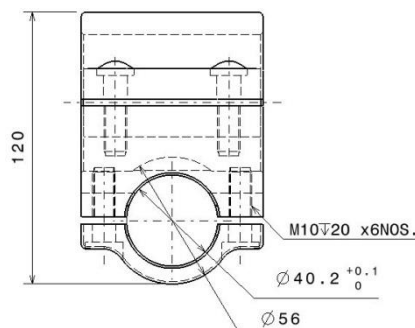
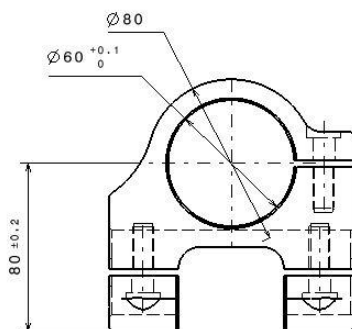


Part Name: - CROSS CONNECTOR D60X40

Part No: - SAPL-C-D-60X40-002

◆ **Specification:**

- **Dimensions :** 80X116X120 MM
- **Material :** ALUMINUM
- **Part Weight:** 1.04 Kg.
- **Hardware:** Allen Bolt M10X1.5
- 

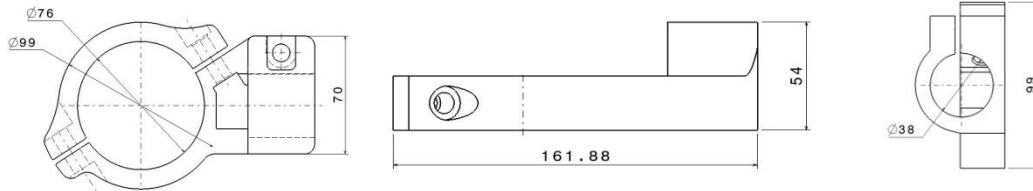


Part Name: - CROSS CONNECTOR D76X38

Part No: - SAPL-C-D-76X38-001

◆ **Specification:**

- **Dimensions :** 162X99X54 MM
- **Material :** ALUMINUM
- **Part Weight:** 0.55 Kg.
- **Hardware:** Allen Bolt M10X1.5

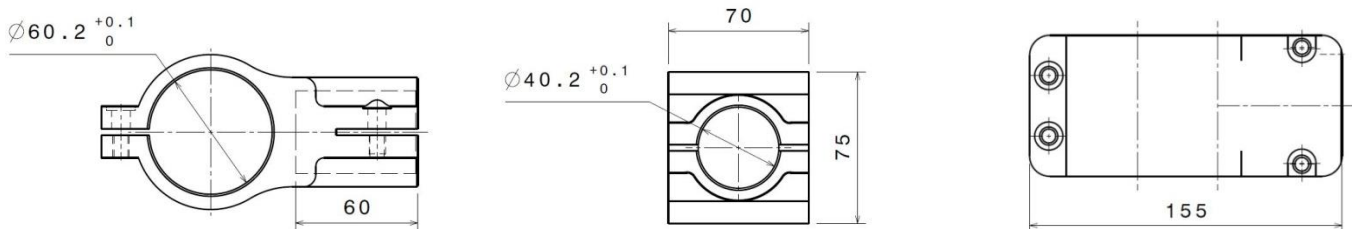


Part Name: - T CROSS CONNECTOR D60X40

Part No: - SAPL-TC-D-60X40-001

◆ **Specification:**

- **Dimensions :** 155X70X75MM
- **Material :** ALUMINUM
- **Part Weight:** 0.68 Kg.
- **Hardware:** Allen Bolt M8X1.25

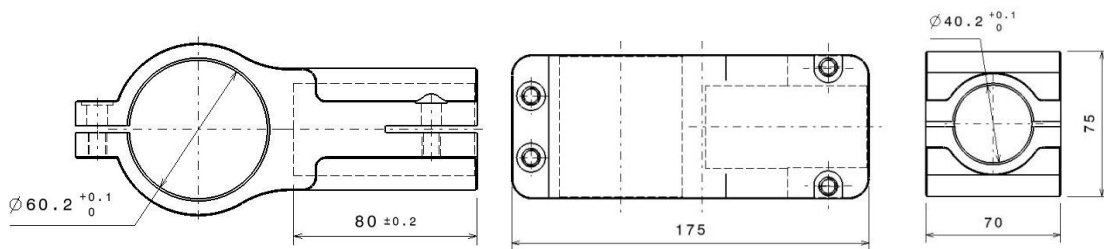


PART Name: - T CROSS CONNECTOR D60X40

Part No: - SAPL-TC-D-60X40-002

◆ **Specification:**

- **Dimensions :** 155X70X75MM
- **Material :** ALUMINUM
- **Part Weight:** 0.68 Kg.
- **Hardware:** Allen Bolt M8X1.25

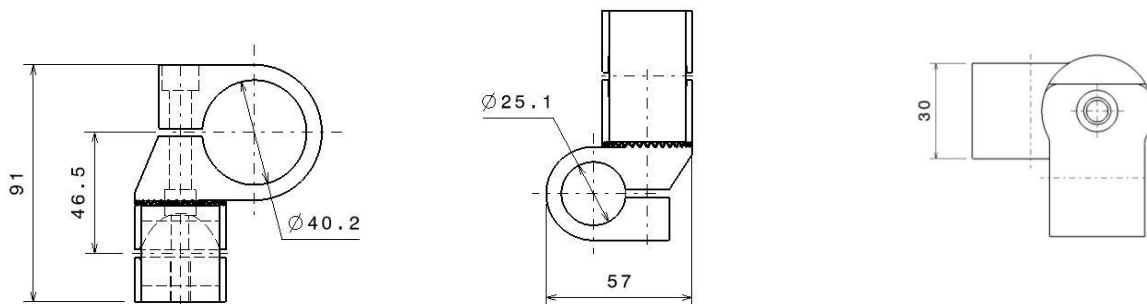


Part Name: - ANGULAR CROSS CONNECTOR D40X25

Part No: - SAPL-C-D-40X25-004

◆ **Specification:**

- **Dimensions :** 91X57X30 MM
- **Material :** ALUMINUM
- **Part Weight:** 0.25 Kg.
- **Hardware:** Allen Bolt M8X1.25

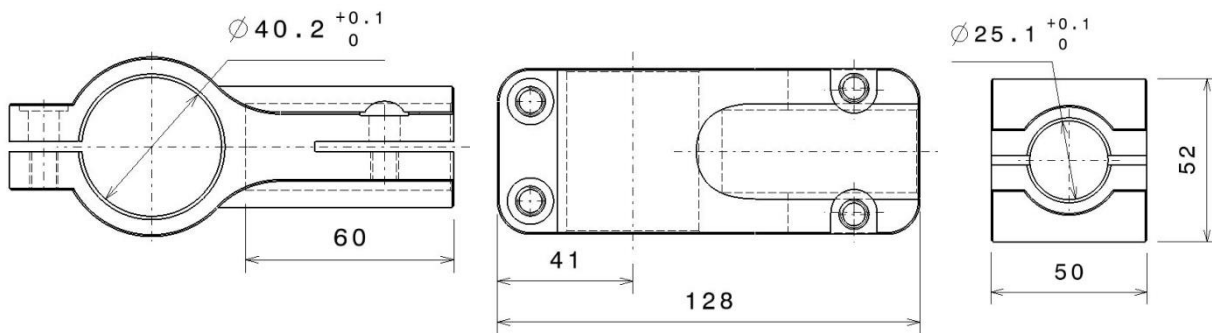


Part Name: - T CROSS CONNECTOR D40X25

Part No: - SAPL-TC-D-40X25-003

◆ **Specification:**

- **Dimensions :** 112X50X68MM
- **Material :** ALUMINUM
- **Part Weight:** 0.29 Kg.
- **Hardware:** Allen Bolt M8X1.25

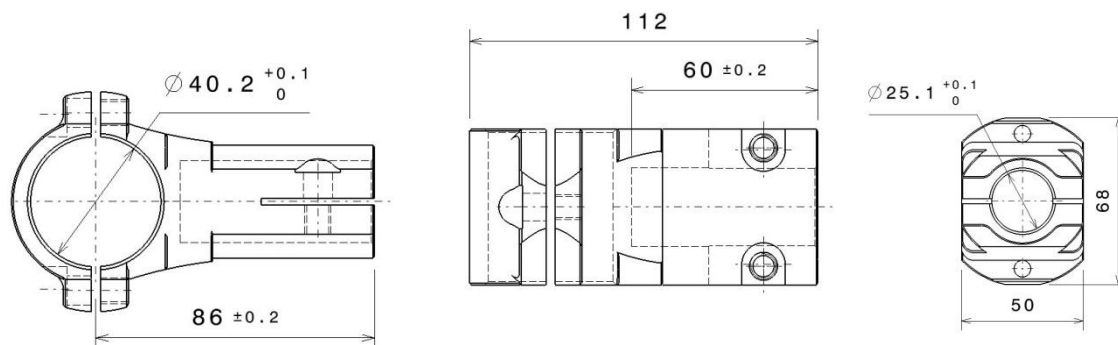


Part Name: - T CROSS CONNECTOR D40X25

Part No: - SAPL-TC-D-40X25-004

◆ **Specification:**

- **Dimensions :** 128X50X52MM
- **Material :** ALUMINUM
- **Part Weight:** 0.28 Kg.
- **Hardware:** Allen Bolt M8X1.25

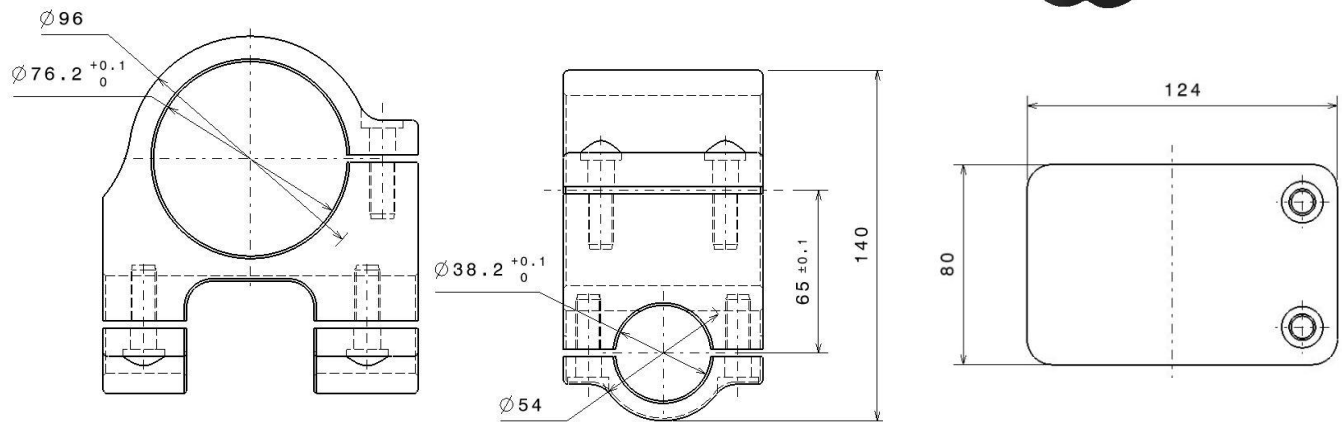


Part Name: - T CROSS CONNECTOR D76X38

Part No: - SAPL-C-D-76X38-003

**Specification:**

- **Dimensions :** 124X80X140MM
- **Material :** ALUMINUM
- **Part Weight:** 1.38 Kg.
- **Hardware:** Allen Bolt M10X1.5

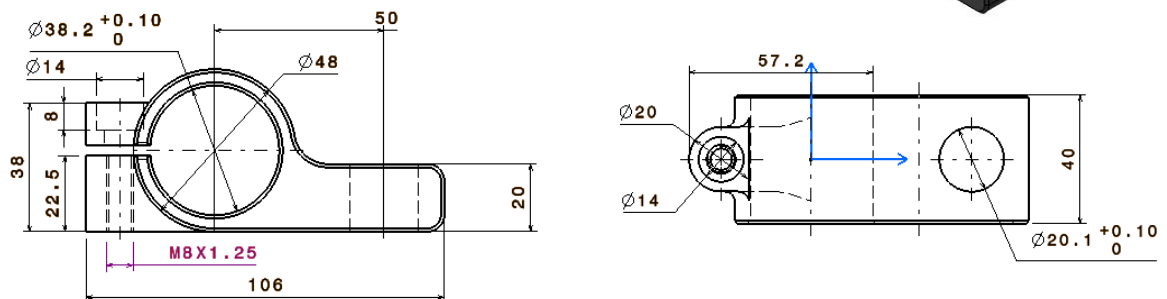
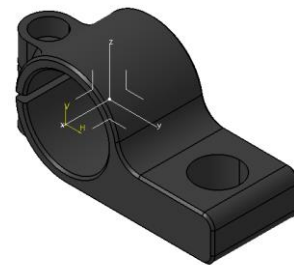


Part Name: - CROSS CONNECTOR D38X20

Part No: - SAPL-C-D-38X20-001

◆ **Specification:**

- **Dimensions :** 106X40X48MM
- **Material :** ALUMINUM
- **Part Weight:** 0.186 Kg.
- **Hardware:** Allen Bolt M8X1.25



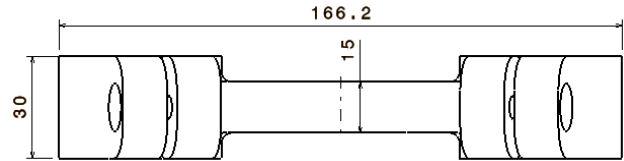
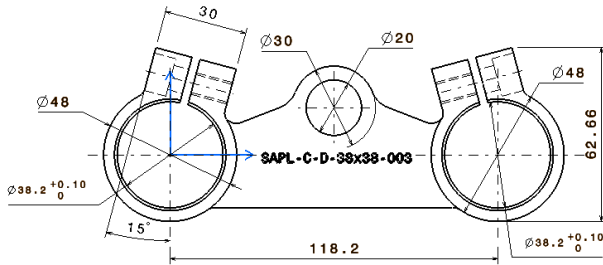
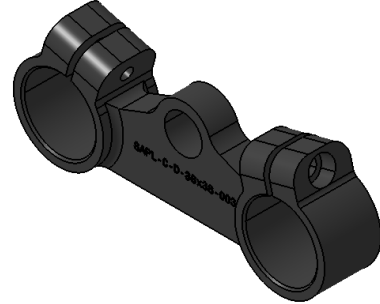


Part Name: - CROSS CONNECTOR D38X38

Part No: - SAPL-C-D-38X38-003

◆ **Specification:**

- **Dimensions :** 166X63X30MM
- **Material :** ALUMINUM
- **Part Weight:** 0.256 Kg.
- **Hardware:** Allen Bolt M8X1.25

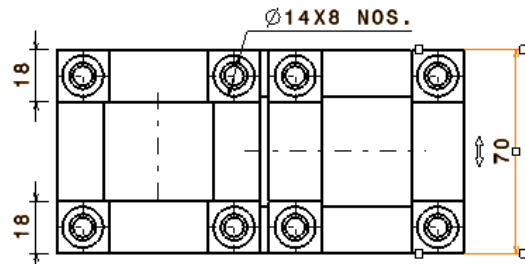
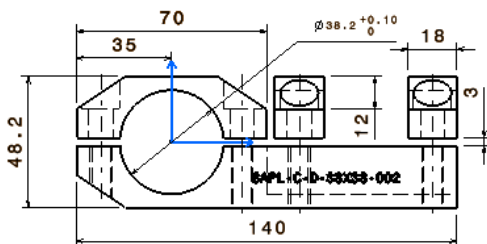
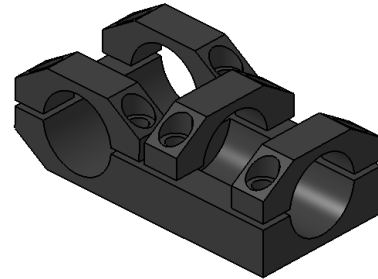


Part Name: - CROSS CONNECTOR D38X38

Part No: - SAPL-C-D-38X38-002

◆ **Specification:**

- **Dimensions :** 140X48.2X70MM
- **Material :** ALUMINUM
- **Part Weight:** 0.500 Kg.
- **Hardware:** Allen Bolt M8X1.25

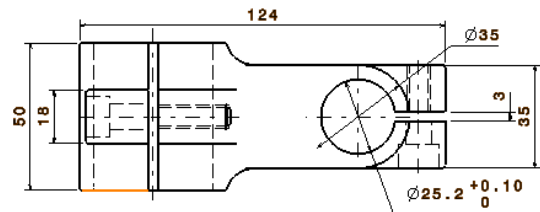
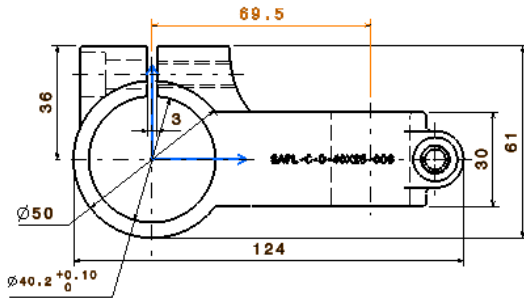


Part Name: - CROSS CONNECTOR D40x25

Part No: - SAPL-C-D-40x25-006

◆ **Specification:**

- **Dimensions :** 124X50X61MM
- **Material :** ALUMINUM
- **Part Weight:** 0.263 Kg.
- **Hardware:** Allen Bolt M8X1.25

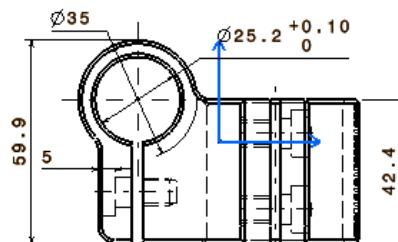
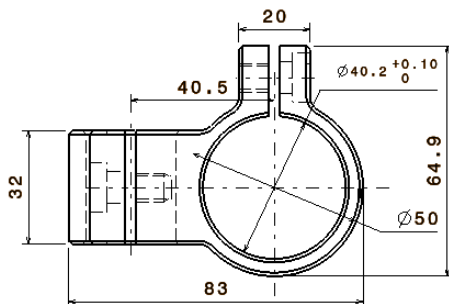
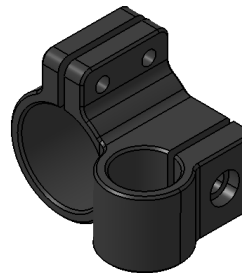


Part Name: - CROSS CONNECTOR D40x25

Part No: - SAPL-C-D-40x25-007

◆ **Specification:**

- **Dimensions :** 83x65x60MM
- **Material :** ALUMINUM
- **Part Weight:** 0.120 Kg.
- **Hardware:** Allen Bolt M8X1.25

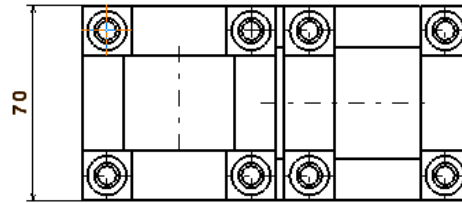
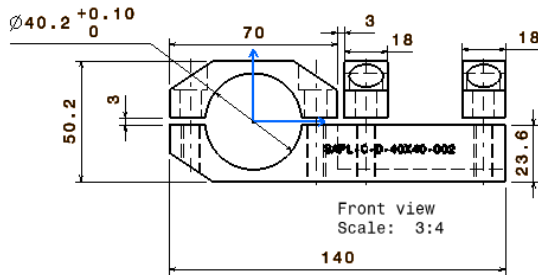
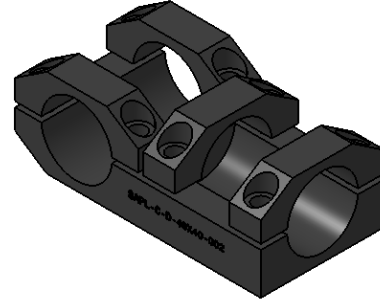


Part Name: - CROSS CONNECTOR D40x40

Part No: - SAPL-C-D-40x40-002

◆ **Specification:**

- **Dimensions :** 140x50.2x70MM
- **Material :** ALUMINUM
- **Part Weight:** 0.500 Kg.
- **Hardware:** Allen Bolt M8X1.25

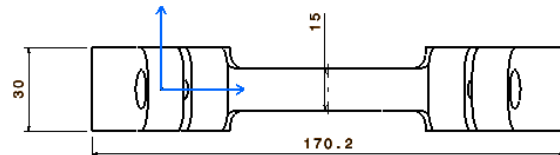
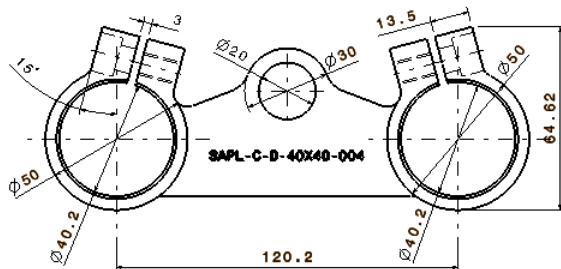
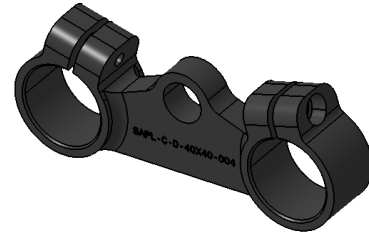


Part Name: - CROSS CONNECTOR D40x40

Part No: - SAPL-C-D-40x40-004

◆ **Specification:**

- **Dimensions :** 170.2x30x64.62MM
- **Material :** ALUMINUM
- **Part Weight:** 0.263 Kg.
- **Hardware:** Allen Bolt M8X1.25

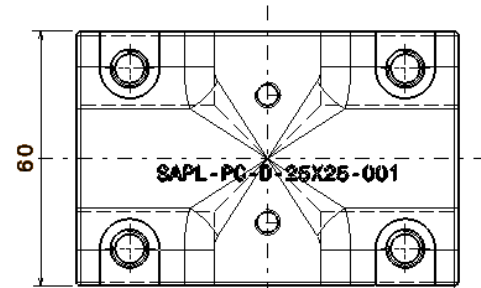
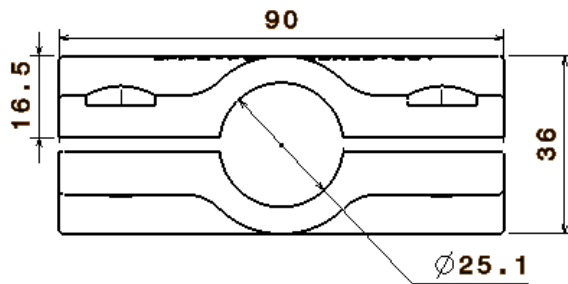
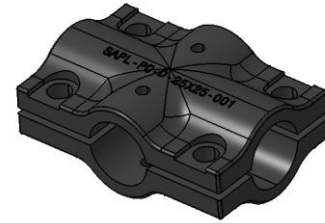


Part Name: - PLUS CONNECTOR D25x25

Part No: - SAPL-C-D-25X25-001

◆ **Specification:**

- **Dimensions :** 36X90X60MM
- **Material :** ALUMINUM
- **Part Weight:** 0.208 Kg.
- **Hardware:** Allen Bolt M8X1.25

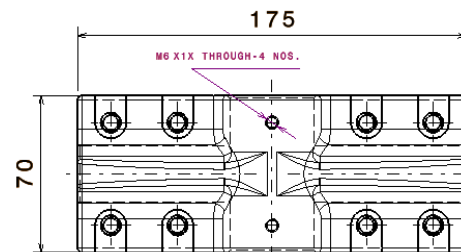
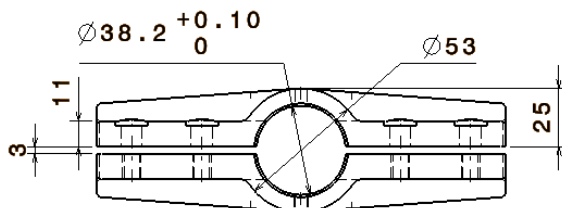
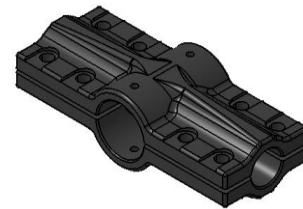


Part Name: - PLUS CONNECTOR D38x25

Part No: - SAPL-C-D-38X25-002

◆ **Specification:**

- **Dimensions :** 53X175X70 MM
- **Material :** ALUMINUM
- **Part Weight:** 0.208 Kg.
- **Hardware:** Allen Bolt M8X1.25

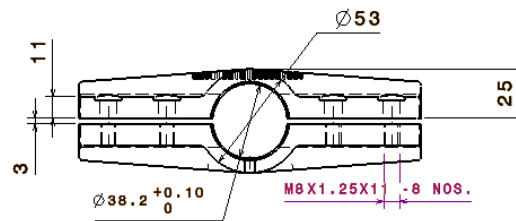
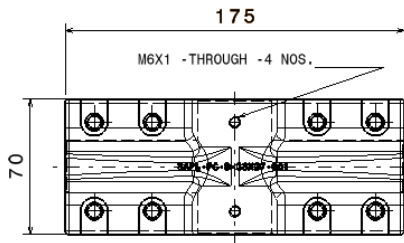
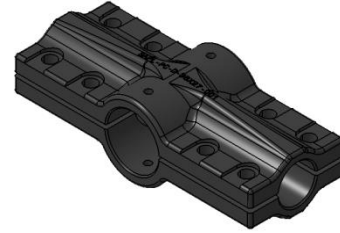


Part Name: - PLUS CONNECTOR D38x27

Part No: - SAPL-C-D-38X27-002

◆ **Specification:**

- **Dimensions :** 175X70X53 MM
- **Material :** ALUMINUM
- **Part Weight:** 0.208 Kg.
- **Hardware:** Allen Bolt M8X1.25

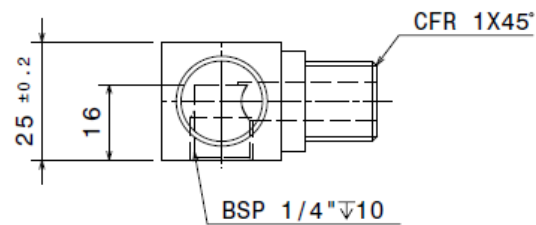
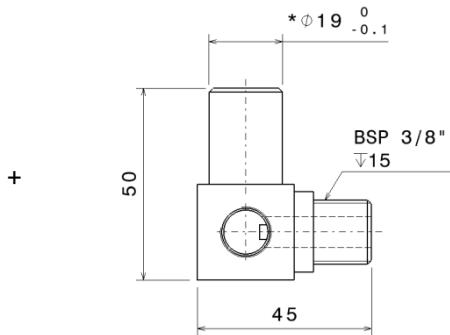
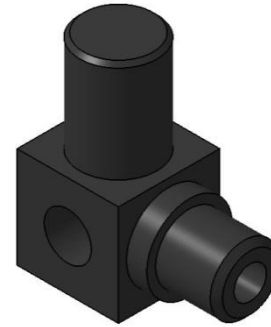


Part Name: - CUP MOUNTING BRACKET

Part No: - SAPL-CMB-D-19-001

◆ **Specification:**

- **Dimensions :** 25X45X50 MM
- **Material :** ALUMINUM (6061T6)
- **Part Weight:** 0.068 Kg.
- **Air Connector:** ¼" BSP / 3/8" BSP.

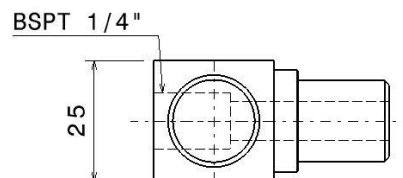
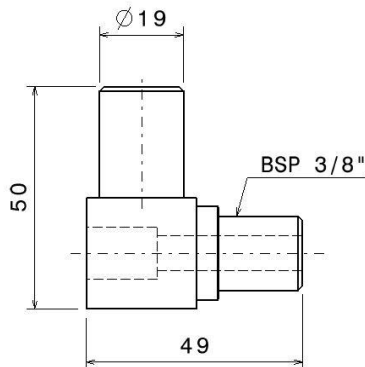
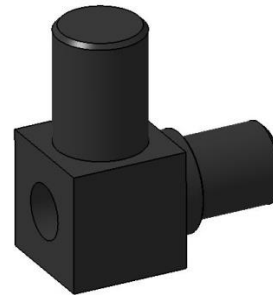


Part Name: - CUP MOUNTING BRACKET

Part No: - SAPL-CMB-D-19-002

◆ **Specification:**

- **Dimensions :** 25X49X50 MM
- **Material :** ALUMINUM (6061T6)
- **Part Weight:** 0.069 Kg.
- **Air Connector:** ¼" BSPT / 3/8" BSP

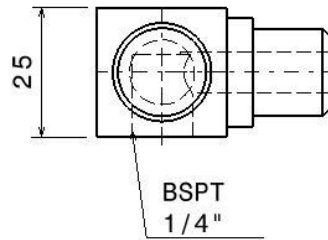
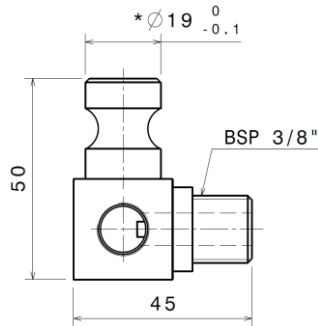
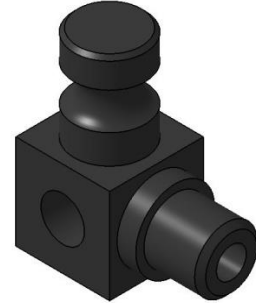


Part Name: - CUP MOUNTING BRACKET

Part No: - SAPL-CMB-D-19-003

◆ **Specification:**

- **Dimensions :** 25X45X50 MM
- **Material :** ALUMINUM (6061T6)
- **Part Weight:** 0.063Kg.
- **Air Connector:** ¼" BSP / 3/8" BSP

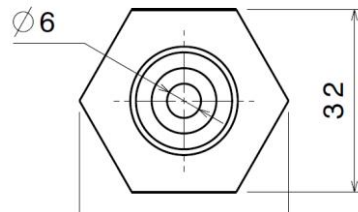
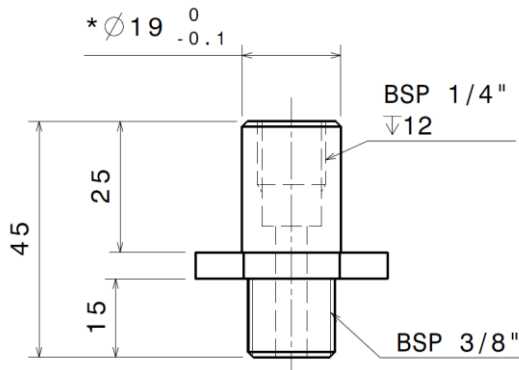
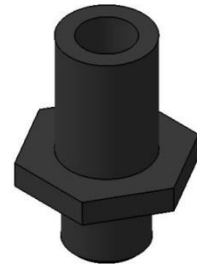


Part Name: - CUP MOUNTING BRACKET

Part No: - SAPL-CMB-D-19-004

◆ **Specification:**

- **Dimensions :** 25X45X50 MM
- **Material :** ALUMINUM (6061T6)
- **Part Weight:** 0.033Kg.
- **Air Connector:** ¼" BSP / 3/8" BSP

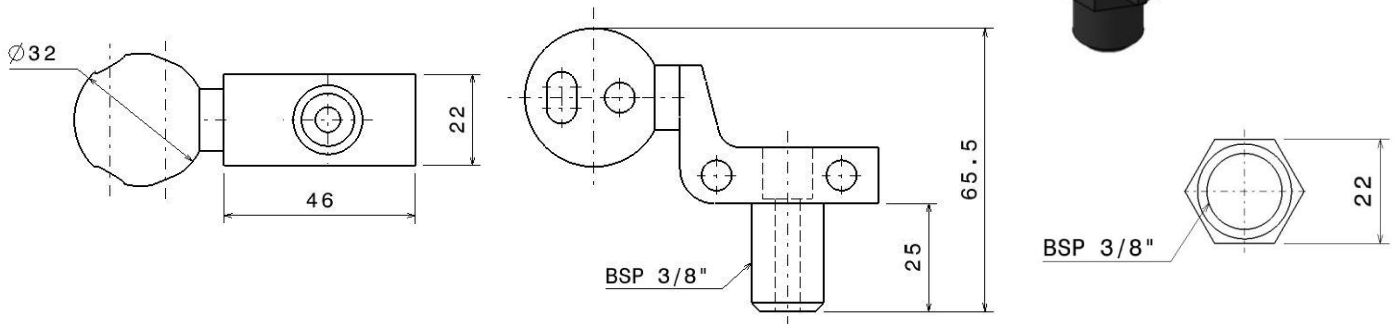
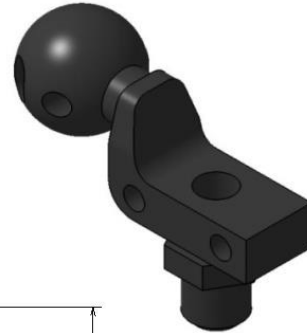


Part Name: - CUP MOUNTING BRACKET

Part No: - SAPL-CMB-D-32-005

◆ **Specification:**

- **Dimensions :** 32X65X82 MM
- **Material :** ALUMINUM (6061T6)
- **Part Weight:** 0.11Kg.
- **Air Connector:** ¼" BSP / 3/8" BSP

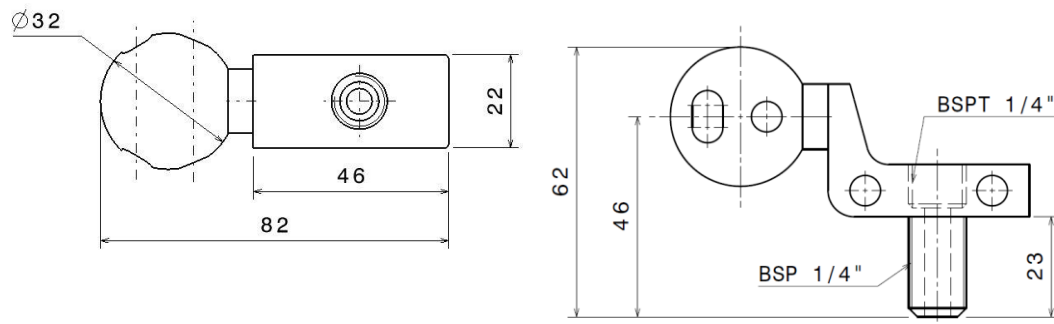


Part Name: - CUP MOUNTING BRACKET

Part No: - SAPL-CMB-D-32-006

◆ **Specification:**

- **Dimensions :** 32X62X82 MM
- **Material :** ALUMINUM (6061T6)
- **Part Weight:** 0.1 Kg.
- **Air Connector:** ¼" BSP / 1/4" BSP



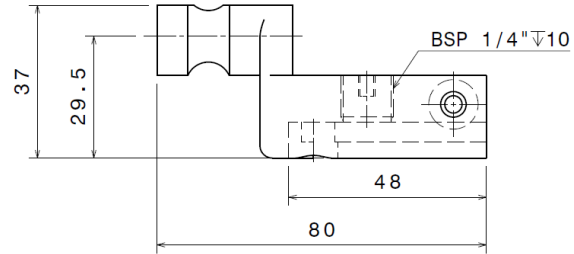
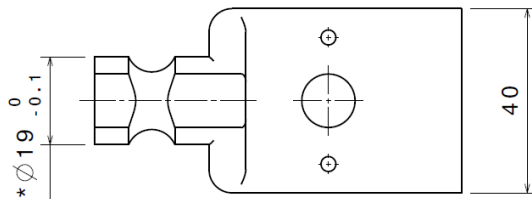
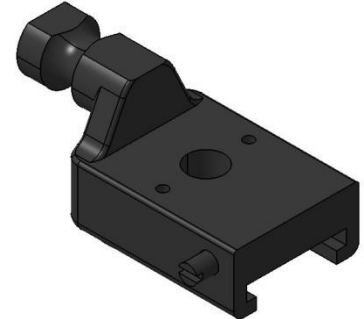


Part Name: - CUP MOUNTING BRACKET

Part No: - SAPL-CMB-D-19-007

◆ **Specification:**

- **Dimensions :** 37X40X80 MM
- **Material :** ALUMINUM (6061T6)
- **Part Weight:** 0.1 Kg.
- **Air Connector:** ¼" BSP

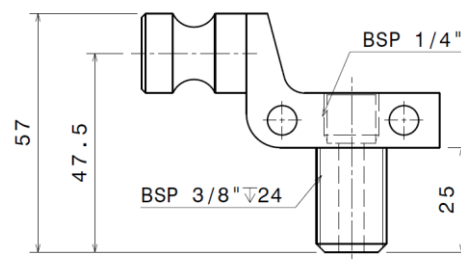
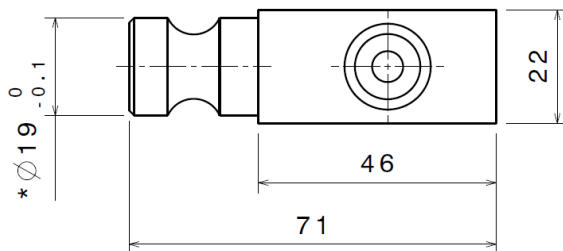


Part Name: - CUP MOUNTING BRACKET

Part No: - SAPL-CMB-D-19-008

◆ **Specification:**

- **Dimensions :** 71X22X57 MM
- **Material :** ALUMINUM (6061T6)
- **Part Weight:** 0.065 Kg.
- **Air Connector:** ¼" BSP / 3/8" BSP



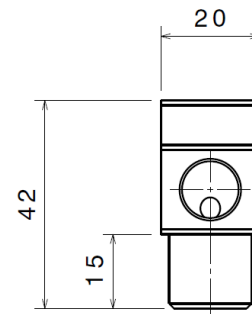
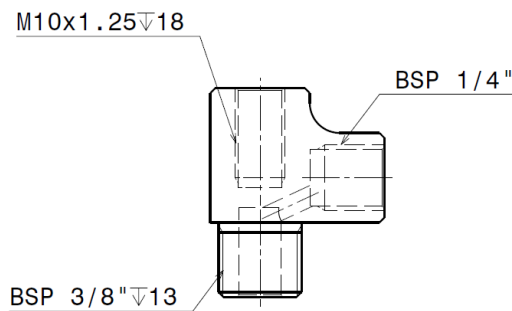
Part Name: - CUP MOUNTING BRACKET

Part No: -

SAPL-CMB-3\_8X1\_4-010

◆ **Specification:**

- **Dimensions :** 20X35X42 MM
- **Material :** ALUMINUM (6061T6)
- **Part Weight:** 0.044 Kg.
- **Air Connector:** ¼" BSP / 3/8" BSP

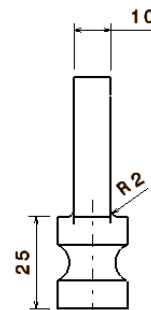
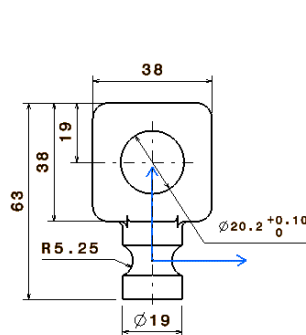


Part Name: - CUP MOUNTING BRACKET

Part No: - SAPL-CMB-D-19-011

◆ **Specification:**

- **Dimensions :** 63X38X19 MM
- **Material :** ALUMINUM (6061T6)
- **Part Weight:** 0.048 Kg.

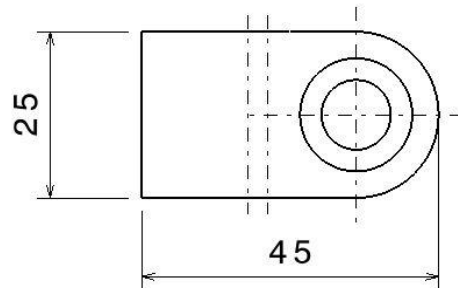
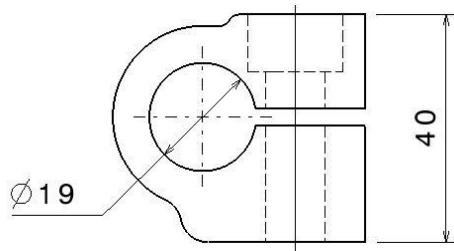
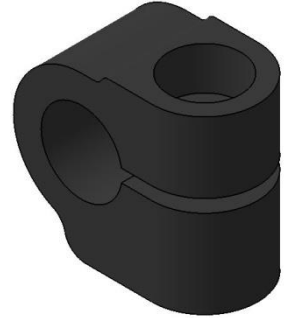


Part Name: - U CONNECTOR

Part No: - SAPL-U-CTR-D-19-001

◆ **Specification:**

- **Dimensions :** 25X40X45 MM
- **Material :** ALUMINUM (6061T6)
- **Part Weight:** 0.065 Kg.
- **Hardware:** Allen Bolt M10X1.5

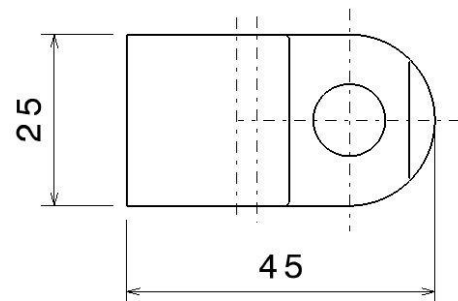
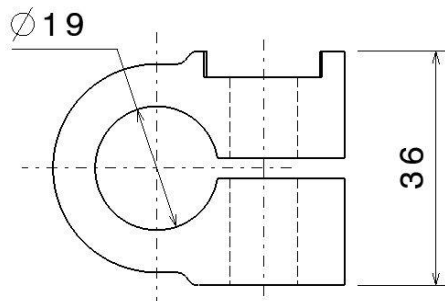
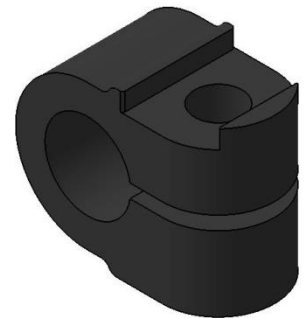


Part Name: - U CONNECTOR (WITH SLOT)

Part No: - SAPL-U-CTR-D-19-002

◆ **Specification:**

- **Dimensions :** 25X36X45 MM
- **Material :** ALUMINUM (6061T6)
- **Part Weight:** 0.056 Kg.
- **Hardware:** Allen Bolt M10X1.5

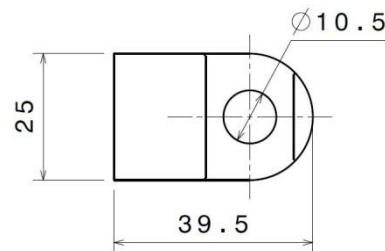
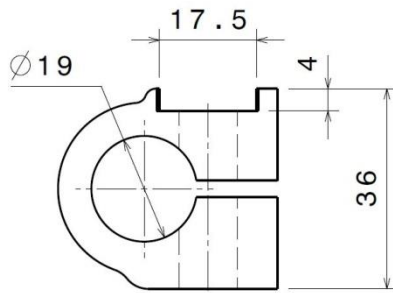
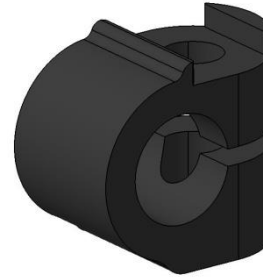


Part Name: - U CONNECTOR

Part No: - SAPL-U-CTR-D-19-003

◆ **Specification:**

- **Dimensions :** 25X40X40.2 MM
- **Material :** ALUMINUM (6061T6)
- **Part Weight:** 0.055 Kg.
- **Hardware:** Allen Bolt M10X1.5

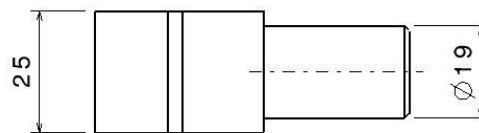
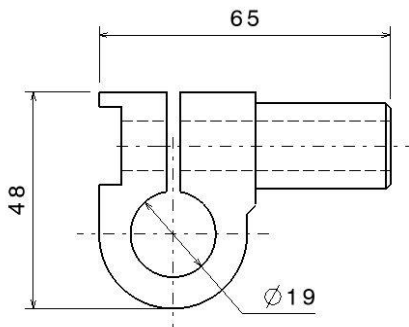
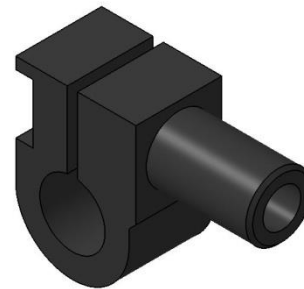


Part Name: - U CONNECTOR

Part No: - SAPL-U-CTR-D-19-004

◆ **Specification:**

- **Dimensions :** 25X48X65 MM
- **Material :** ALUMINUM (6061T6)
- **Part Weight:** 0.083 Kg.
- **Hardware:** Allen Bolt M10X1.5

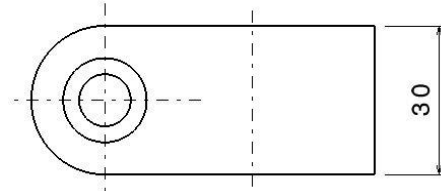
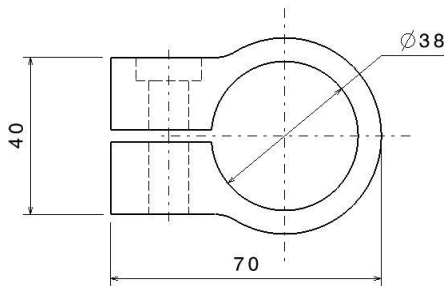
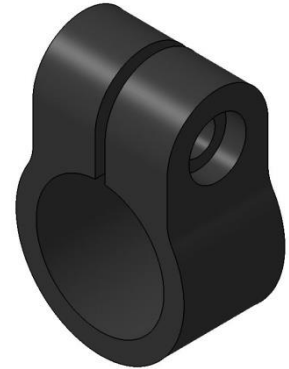


Part Name: - U CONNECTOR

Part No: - SAPL-U-CTR-D-38-001

◆ **Specification:**

- **Dimensions :** 30X50X70 MM
- **Material :** ALUMINUM (6061T6)
- **Part Weight:** 0.112 Kg.
- **Hardware:** Allen Bolt M10X1.5

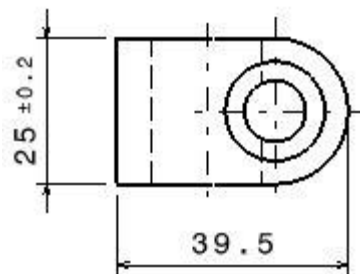
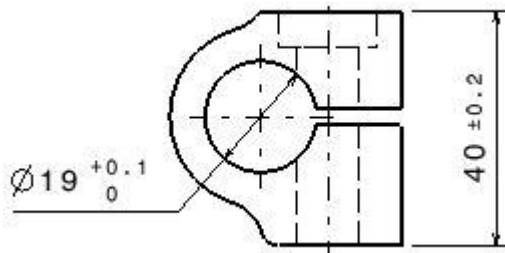


Part Name: - U CONNECTOR

Part No: - SAPL-U-CTR-D-19-005

◆ **Specification:**

- **Dimensions :** 25X39.5X40 MM
- **Material :** ALUMINUM (6061T6)
- **Part Weight:** 0.112 KG.
- **Hardware:** Allen Bolt M10X1.5

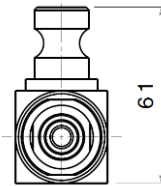
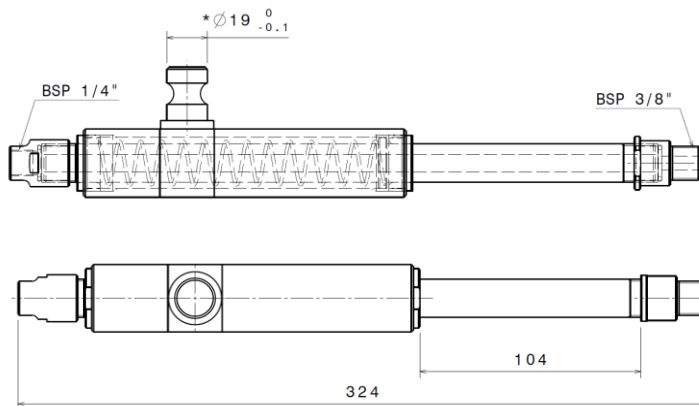


Part Name: SPRING LOADED BRACKET

Part No: - SAPL-SLB-SL100-001

◆ **pecification:**

- **Dimensions :** 32X61X324 MM
- **Stroke Length:** 100 MM
- **Body Material :** ALUMINUM (6061T6)
- **Cup & Pneumatic Attachments Material:** Brass
- **Part Weight** 0.49 Kg.

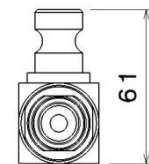
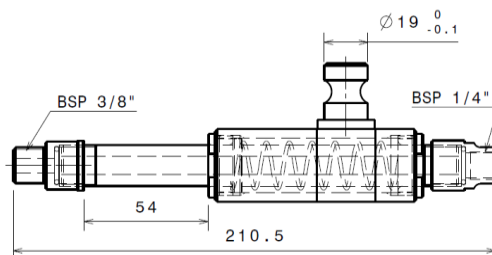
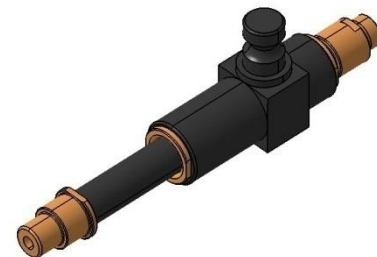


Part Name: SPRING LOADED BRACKET

Part No: - SAPL-SLB-SL50-002

◆ **Specification:**

- **Dimensions :** 32X61X210 MM
- **Stroke Length:** 50 MM
- **Body Material :** ALUMINUM (6061T6)
- **Cup & Pneumatic Attachments Material:** Brass
- **Part Weight:** 0.34 Kg

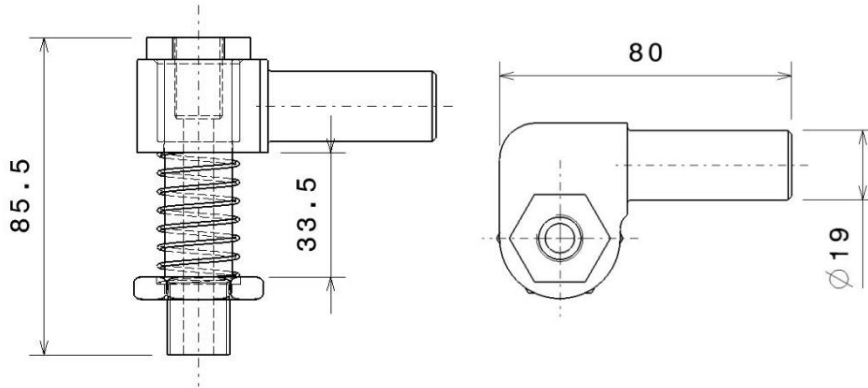
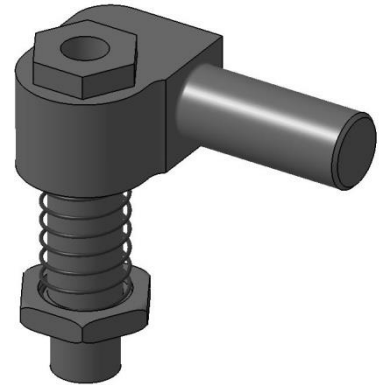


Part Name: SPRING LOADED BRACKET

Part No: - SAPL-SLB-SL30-003

◆ **Specification:**

- **Dimensions :** 48X80X85 MM
- **Stroke Length:** 30 MM
- **Body Material :** ALUMINUM (6061T6)
- **Part Weight:** 0.21 Kg

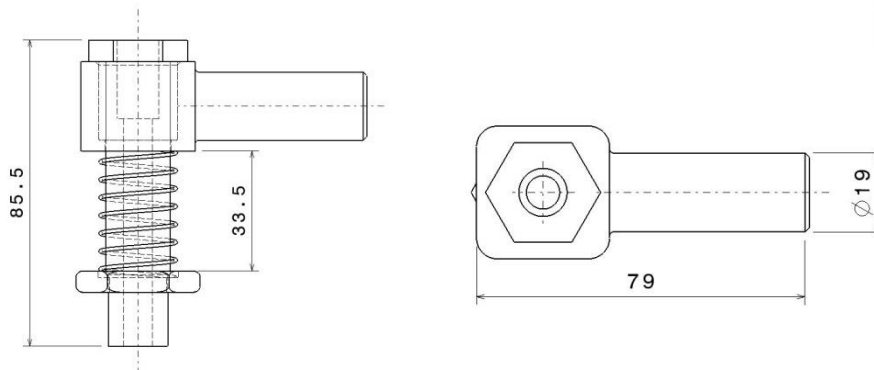
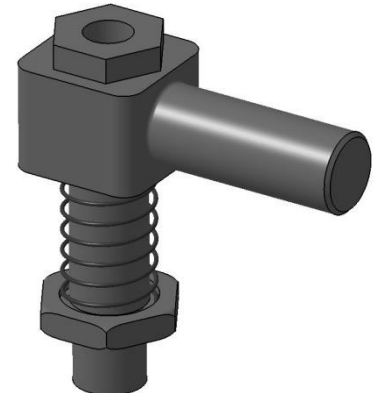


Part Name: SPRING LOADED BRACKET

Part No: - SAPL-SLB-SL30-004

◆ **Specification:**

- **Dimensions :** 32X79X85 MM
- **Stroke Length:** 30 MM
- **Body Material :** ALUMINUM (6061T6)
- **Part Weight:** 0.18 Kg

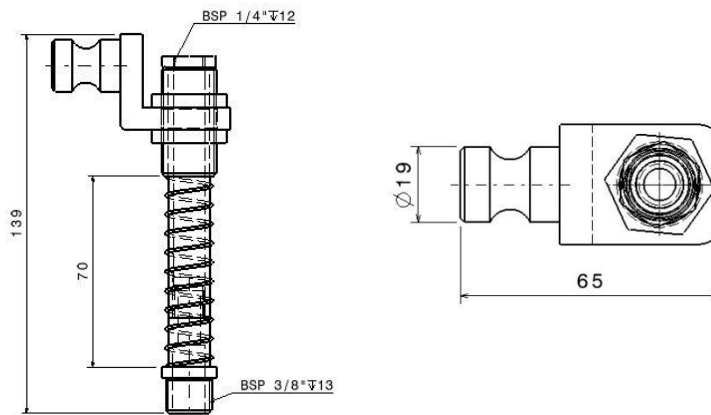


Part Name: SPRING LOADED BRACKET

Part No: - SAPL-SLB-SL50-005

◆ **Specification:**

- **Dimensions :** 30X65X139 MM
- **Stroke Length:** 50 MM
- **Body Material :** SS304 & ALUMINUM (6061T6)
- **Part Weight:** 0.22 Kg

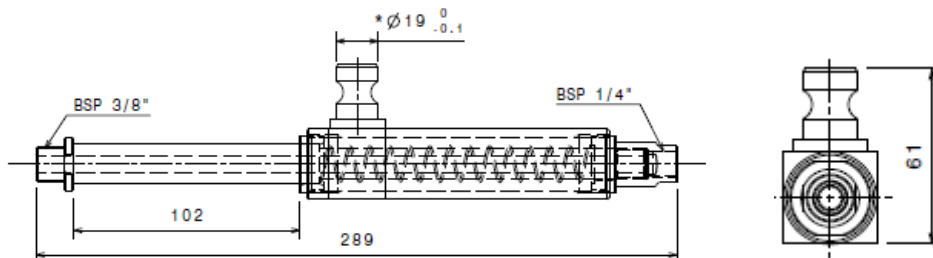


Part Name: SPRING LOADED BRACKET

Part No: - SAPL-SLB-SL100-006

◆ **Specification:**

- **Dimensions :** 32X61X289 MM
- **Stroke Length:** 100 MM
- **Body Material :** SS304, BRASS & ALUMINUM (6061T6)
- **Part Weight:** 0.75 Kg



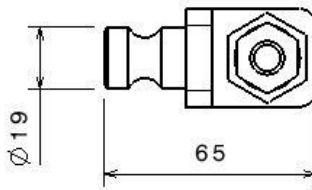
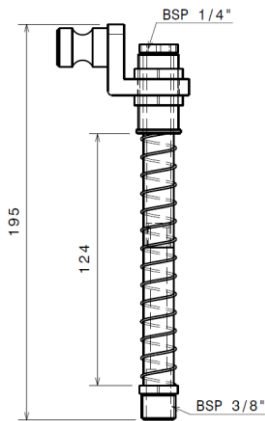


Part Name: SPRING LOADED BRACKET

Part No: - SAPL-SLB-SL100-007

◆ **Specification:**

- **Dimensions :** 30X65X195 MM
- **Stroke Length:** 100 MM
- **Body Material :** SS304, BRASS & ALUMINUM (6061T6)
- **Part Weight:** 0.27 Kg

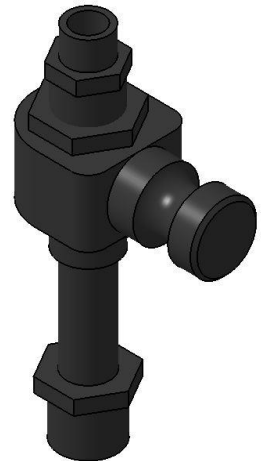
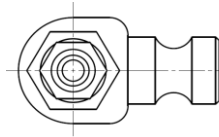
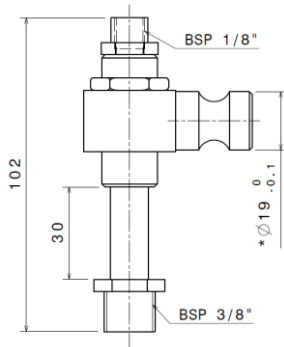


Part Name: SPRING LOADED BRACKET

Part No: - SAPL-SLB-SL30-009

**Specification:**

- **Dimensions :** 30X55X102 MM
- **Stroke Length:** 30 MM
- **Body Material :** SS304 & ALUMINUM (6061T6)
- **Part Weight:** 0.24 Kg



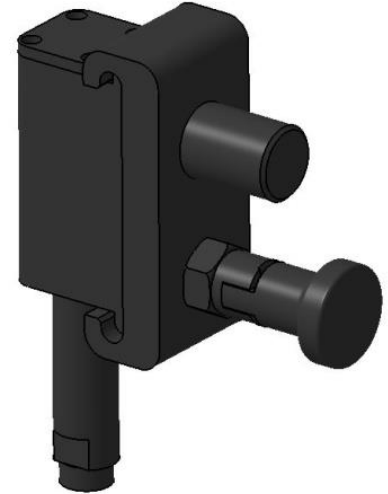
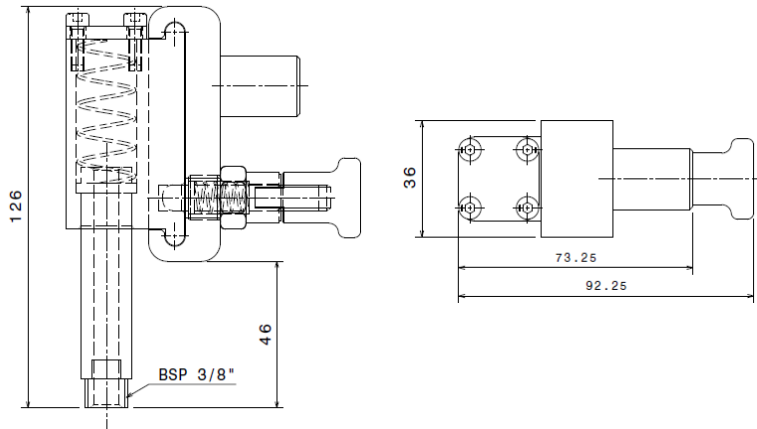
Part Name: SPRING LOADED BRACKET

Part No: - SAPL-SLB-SL30-010

❖ **SPRING LOADED FOR MAGNETIC GRIPPERS**

◆ **Specification:**

- **Dimensions :** 36X92X126 MM
- **Stroke Length:** 30 MM
- **Body Material :** SS304 & ALUMINUM (6061T6)
- **Part Weight:** 0.4 Kg



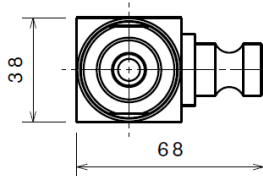
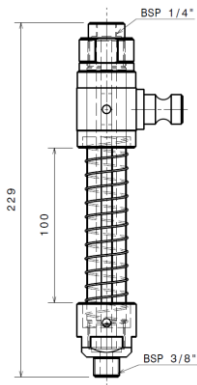
Part Name: SPRING LOADED BRACKET

Part No: - SAPL-SLB-SL100-012

❖ **LINEAR MOTION SPRING LOADED**

◆ **Specification:**

- **Dimensions :** 38X68X229 MM
- **Stroke Length:** 100 MM
- **Body Material :** SS304, BRASS & ALUMINUM (6061T6)
- **Part Weight:** 0.57 Kg

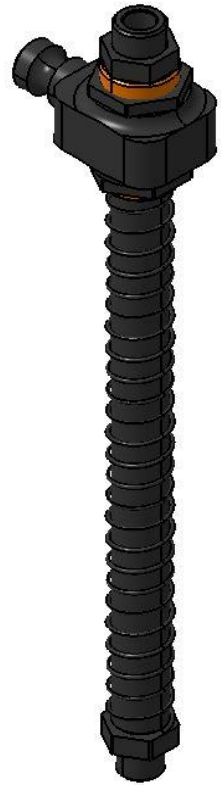
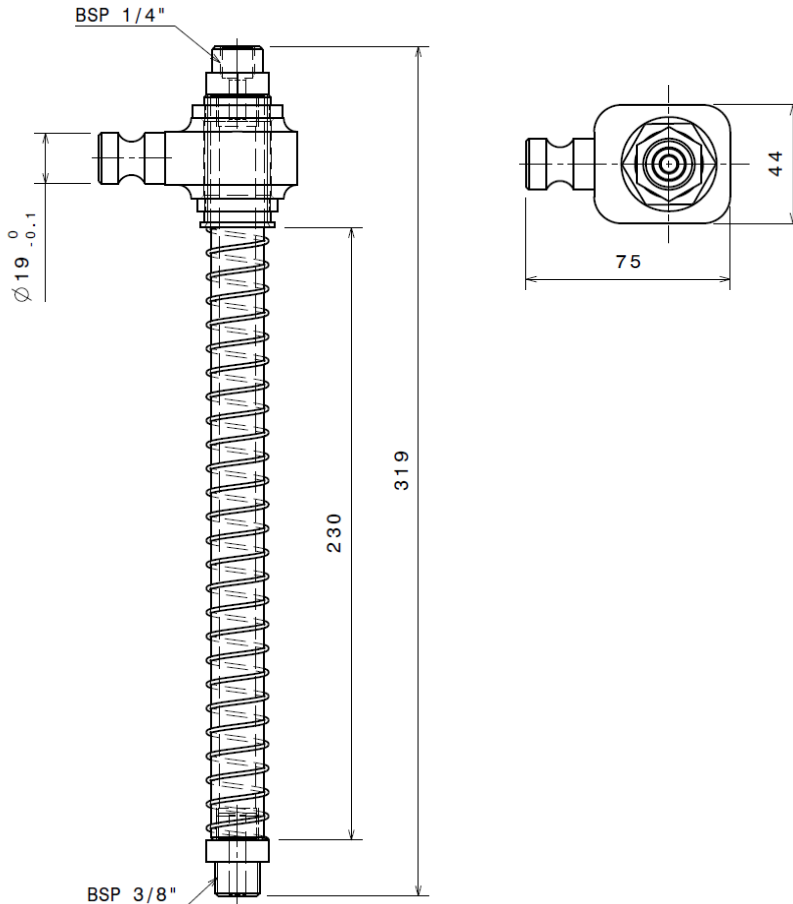


Part Name: SPRING LOADED BRACKET

Part No: - SAPL-SLB-SL200-015

◆ **Specification:**

- **Dimensions :** 44X75X319 MM
- **Stroke Length:** 200 MM
- **Body Material :** SS304, BRASS & ALUMINUM (6061T6)
- **Part Weight:** 0.65 Kg

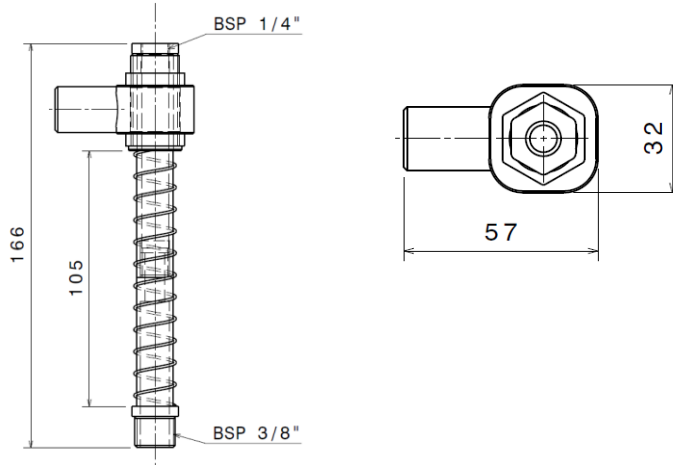


Part Name: SPRING LOADED BRACKET

Part No: - SAPL-SLB-SL100-016

◆ **Specification:**

- **Dimensions :** 32X57X166 MM
- **Stroke Length:** 100 MM
- **Body Material :** SS304, BRASS & ALUMINUM (6061T6)
- **Part Weight:** 0.65 Kg

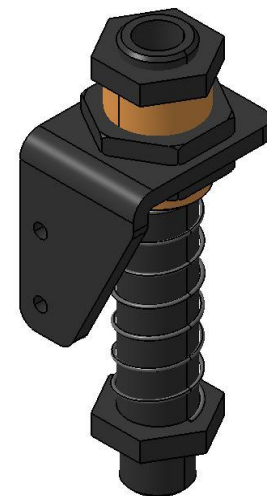
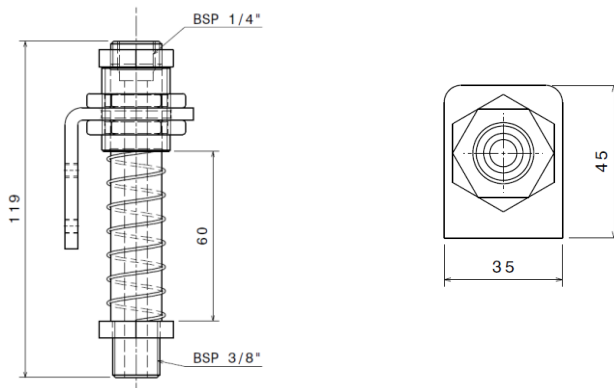


Part Name: SPRING LOADED BRACKET

Part No: - SAPL-SLB-SL50-017

◆ **Specification:**

- **Dimensions :** 35X45X119 MM
- **Stroke Length:** 50 MM
- **Body Material :** SS304, BRASS & ALUMINUM (6061T6)
- **Part Weight:** Kg

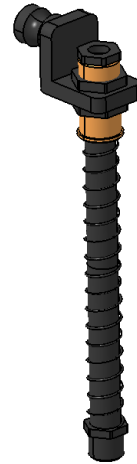
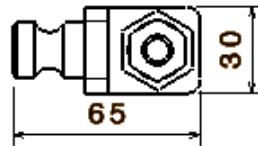
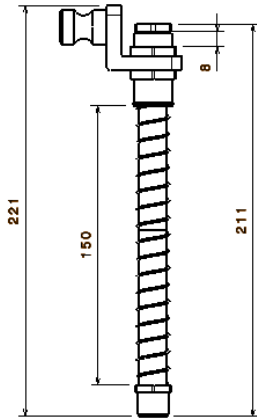


Part Name: SPRING LOADED BRACKET

Part No: - SAPL-SLB-SL130-008

◆ **Specification:**

- **Dimensions :** 221X65X30 MM
- **Stroke Length:** 150 MM
- **Body Material :** SS304, BRASS & ALUMINUM (6061T6)
- **Part Weight:** 0.289 Kg

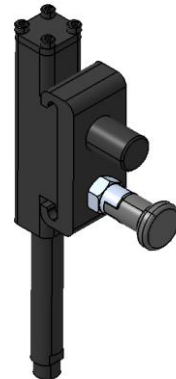
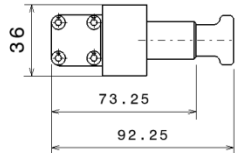
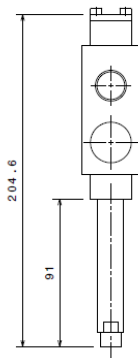


Part Name: SPRING LOADED BRACKET

Part No: - SAPL-SLB-SL80-011

◆ **Specification:**

- **Dimensions :** 204.6X92.25X36 MM
- **Stroke Length:** 80 MM
- **Body Material :** SS304, BRASS & ALUMINUM (6061T6)
- **Part Weight:** 0.445 Kg

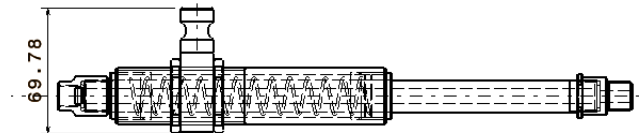
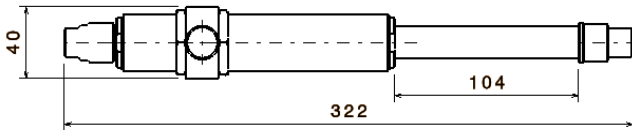
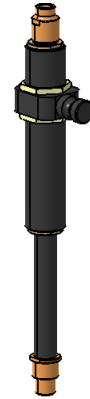


Part Name: SPRING LOADED BRACKET

Part No: - SAPL-SLB-SL100-014

◆ **Specification:**

- **Dimensions :** 322X40X70MM
- **Stroke Length:** 100 MM
- **Body Material :** SS304, BRASS & ALUMINUM (6061T6)
- **Part Weight:** 0.594 Kg

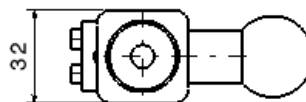
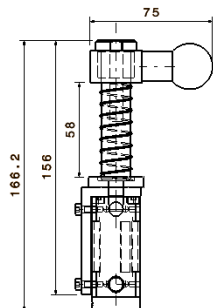
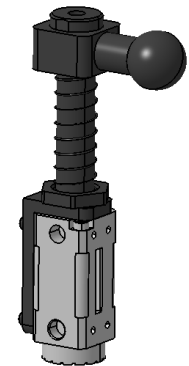


Part Name: SPRING LOADED BRACKET

Part No: - SAPL-SLB-SL50-018

◆ **Specification:**

- **Dimensions :** 166.2X75X32MM
- **Stroke Length:** 50 MM
- **Body Material :** SS304, BRASS & ALUMINUM (6061T6)
- **Part Weight:** 0.317 Kg

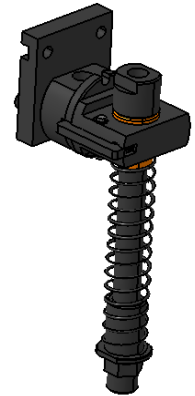
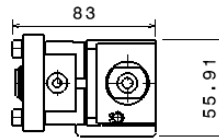
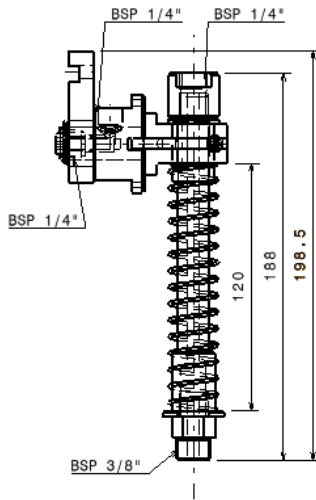


Part Name: SPRING LOADED BRACKET

Part No: - SAPL-SLB-SL80-019

◆ **Specification:**

- **Dimensions :** 198.5X55.91X83MM
- **Stroke Length:** 80 MM
- **Body Material :** SS304, BRASS & ALUMINUM (6061T6)
- **Part Weight:** 0.49 Kg

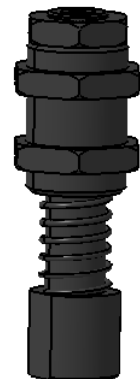
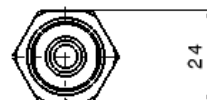
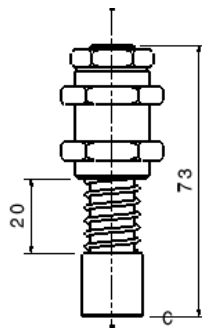


Part Name: SPRING LOADED BRACKET

Part No: - SAPL-SLB-SL20-021

◆ **Specification:**

- **Dimensions :** 73X24X28MM
- **Stroke Length:** 20 MM
- **Body Material :** SS304, BRASS & ALUMINUM (6061T6)
- **Part Weight:** 0.123 Kg

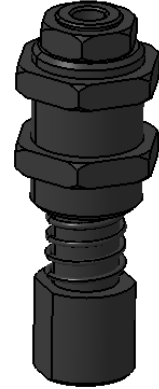
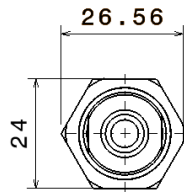
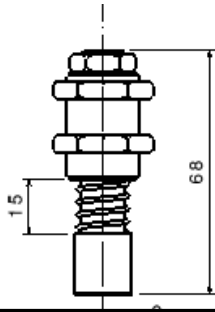


Part Name: SPRING LOADED BRACKET

Part No: - SAPL-SLB-SL15-020

◆ **Specification:**

- **Dimensions :** 68X24X27.71MM
- **Stroke Length:** 15 MM
- **Body Material :** SS304, BRASS & ALUMINUM (6061T6)
- **Part Weight:** 0.116 Kg

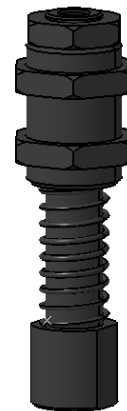
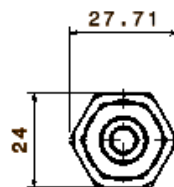
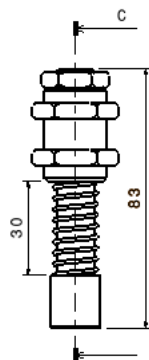


Part Name: SPRING LOADED BRACKET

Part No: - SAPL-SLB-SL30-022

◆ **Specification:**

- **Dimensions :** 68X24X27.71MM
- **Stroke Length:** 30 MM
- **Body Material :** SS304, BRASS & ALUMINUM (6061T6)
- **Part Weight:** 0.131 Kg



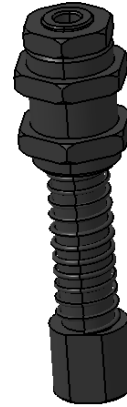
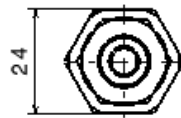
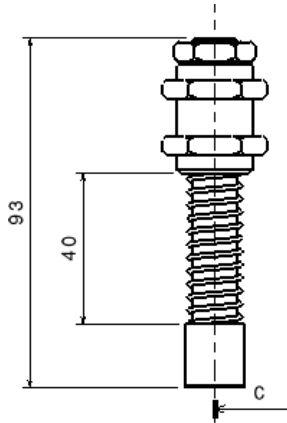


Part Name: SPRING LOADED BRACKET

Part No: - SAPL-SLB-SL40-023

◆ **Specification:**

- **Dimensions :** 93X24X27.71MM
- **Stroke Length:** 40 MM
- **Body Material :** SS304, BRASS & ALUMINUM (6061T6)
- **Part Weight:** 0.139 Kg

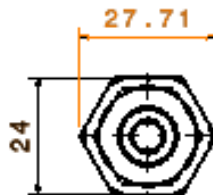
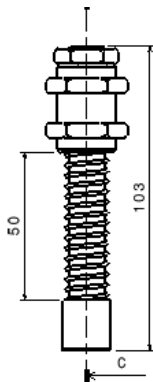


Part Name: SPRING LOADED BRACKET

Part No: - SAPL-SLB-SL50-024

◆ **Specification:**

- **Dimensions :** 103X24X27.71MM
- **Stroke Length:** 50 MM
- **Body Material :** SS304, BRASS & ALUMINUM (6061T6)
- **Part Weight:** 0.147 Kg

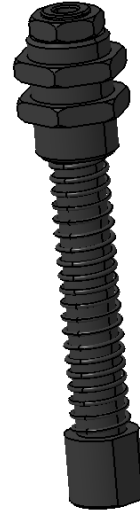
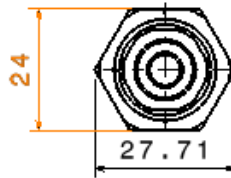
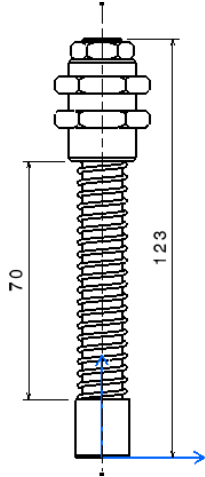


Part Name: SPRING LOADED BRACKET

Part No: - SAPL-SLB-SL70-025

◆ **Specification:**

- **Dimensions :** 123X24X27.71MM
- **Stroke Length:** 70 MM
- **Body Material :** SS304, BRASS & ALUMINUM (6061T6)
- **Part Weight:** 0.159 Kg

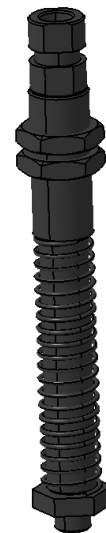
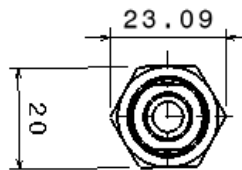
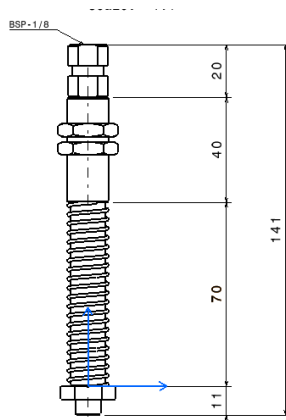


Part Name: SPRING LOADED BRACKET

Part No: - SAPL-SLB-SL50-026

◆ **Specification:**

- **Dimensions :** 141X20X23.09MM
- **Stroke Length:** 50 MM
- **Body Material :** SS304, BRASS & ALUMINUM (6061T6)
- **Part Weight:** 0.162 Kg

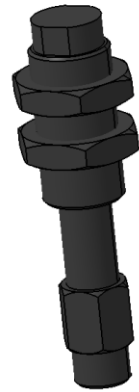
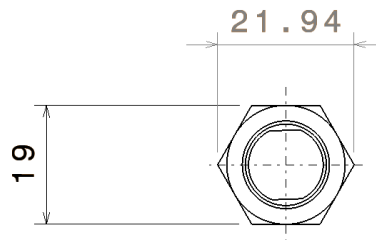
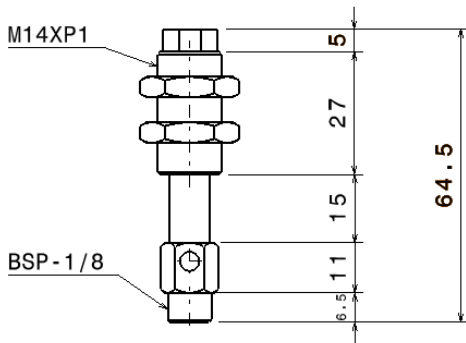


Part Name: SPRING LOADED BRACKET

Part No: - SAPL-SLB-SL15-027

◆ **Specification:**

- **Dimensions :** 64.5X19X21.94MM
- **Stroke Length:** 15 MM
- **Body Material :** SS304, BRASS & ALUMINUM (6061T6)
- **Part Weight:** 0.064 Kg

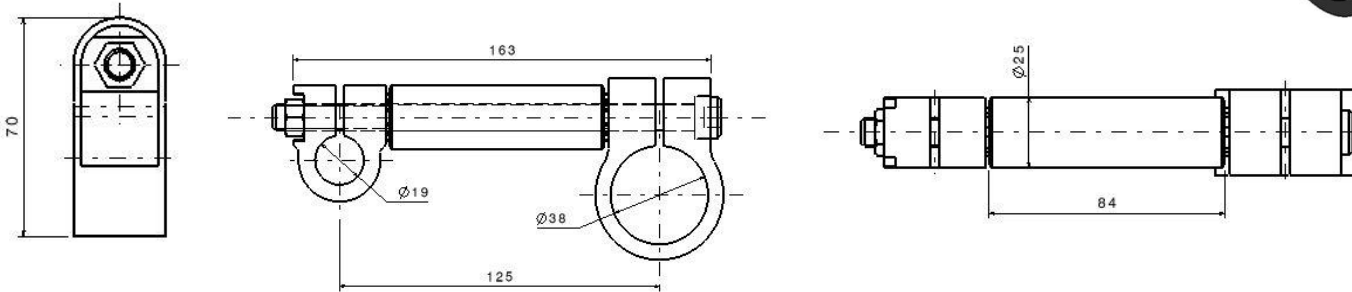
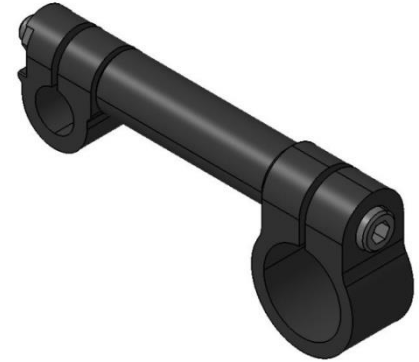


Part Name: - SWIVEL ARM ASSY L125

Part No: - SAPL-SA-125-D-38x19

◆ **Specification:**

- **Dimensions :** 30x70x163 MM
- **Material :** ALUMINIUM
- **Part Weight:** 0.40 Kg.
- **Hardware :** Allen bolt M10 x L165, Nut M10

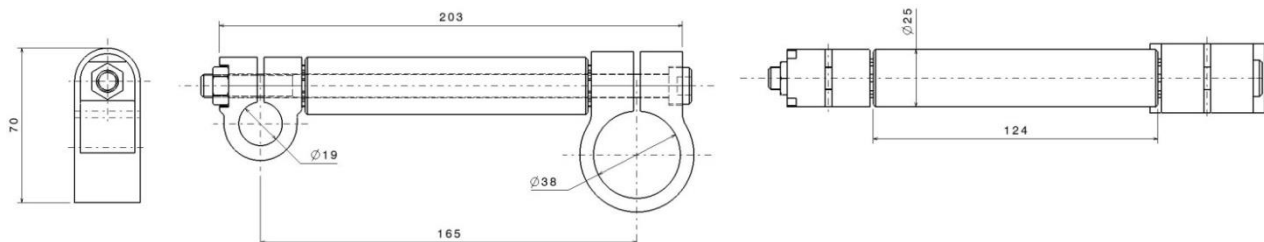
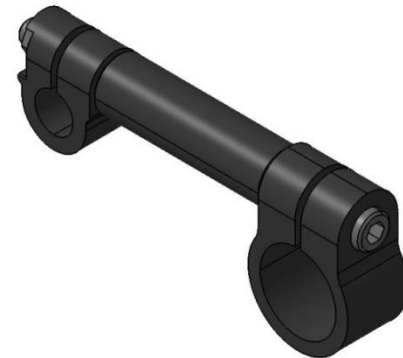


Part Name: - SWIVEL ARM ASSY L165

Part No: - SAPL-SA-165-D-38x19

◆ **Specification:**

- **Dimensions :** 30x70x203 MM
- **Material :** ALUMINIUM
- **Part Weight:** 0.45 Kg.
- **Hardware :** Allen bolt M10 x L205, Nut M10

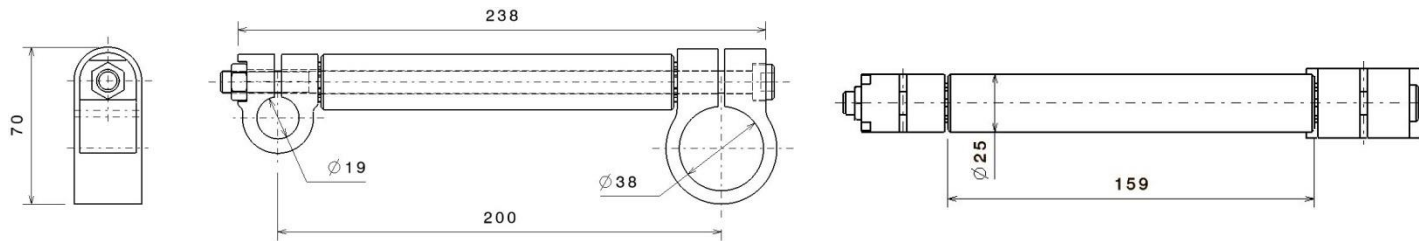


Part Name: - SWIVEL ARM ASSY L200

Part No: - SAPL-SA-200-D-38X19

◆ **Specification:**

- **Dimensions :** 30x70x238 MM
- **Material :** ALUMINIUM
- **Part Weight:** 0.52 Kg.
- **Hardware :** Allen bolt M10 x L240, Nut M10

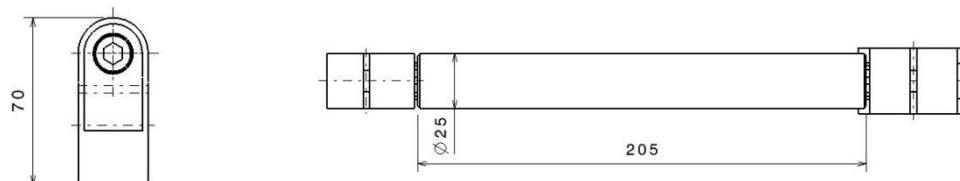
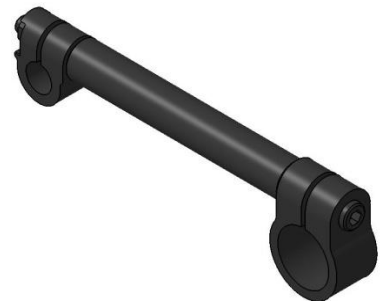


Part Name: - SWIVEL ARM ASSY L250

Part No: - SAPL-SA-250-D-38X19

◆ **Specification:**

- **Dimensions :** 30x70x288 MM
- **Material :** ALUMINIUM
- **Part Weight:** 0.51 Kg.
- **Hardware :** Allen bolt M10 x L55

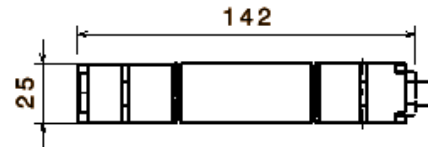
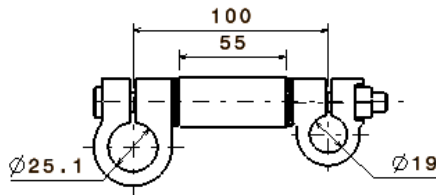
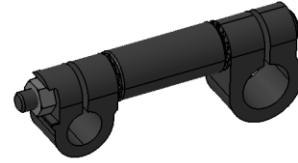


Part Name: - SWIVEL ARM ASSY L100

Part No: - SAPL-SA-100-D-25X19

◆ **Specification:**

- **Dimensions :** 37.55x25x142 MM
- **Material :** ALUMINIUM
- **Part Weight:** 0.304 Kg.
- **Hardware :** Allen bolt M10 x L140 ,NUT M10.

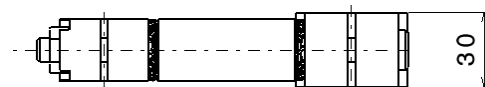
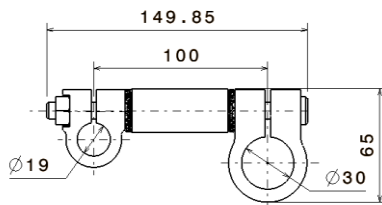
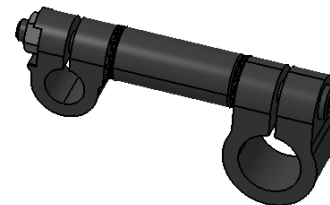


Part Name: - SWIVEL ARM ASSY L100

Part No: - SAPL-SA-100-D-25X30

◆ **Specification:**

- **Dimensions :** 65X30X149.85 MM
- **Material :** ALUMINIUM
- **Part Weight:** 0.347 Kg.
- **Hardware :** Allen bolt M10 x L140 ,NUT M10.



---

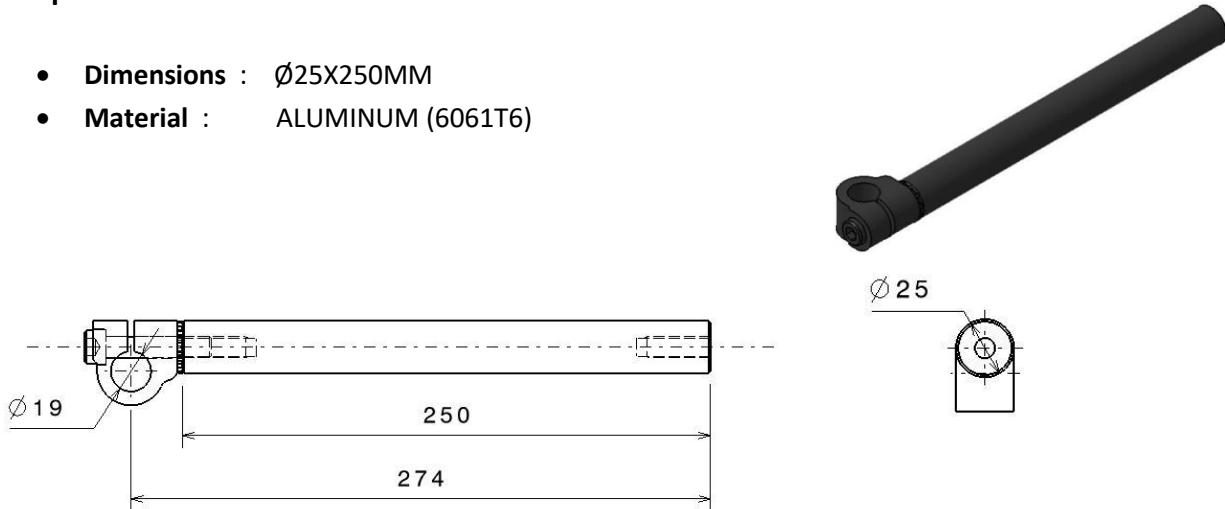
Part Name: - ROD 250

Part No: - SAPL-SA-U19-D25X250

---

◆ **Specification:**

- **Dimensions :**  $\varnothing 25 \times 250 \text{MM}$
- **Material :** ALUMINUM (6061T6)



---

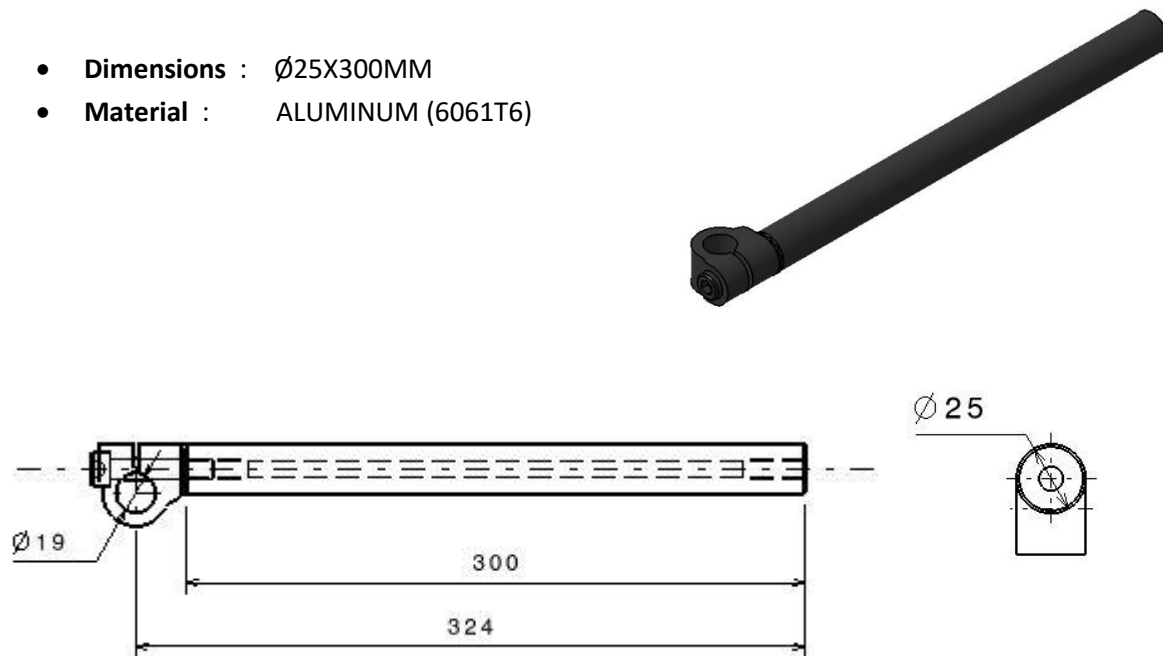
Part Name: - ROD 300

Part No: - SAPL-SA-U19-D25X300

---

◆ **Specification:**

- **Dimensions :**  $\varnothing 25 \times 300 \text{MM}$
- **Material :** ALUMINUM (6061T6)

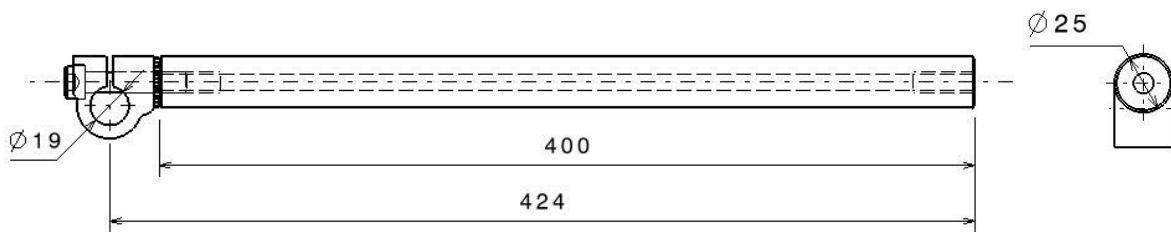


Part Name: - ROD 400

Part No: - SAPL-SA-U19-D25X400

◆ **Specification:**

- **Dimensions :**  $\varnothing 25 \times 400 \text{MM}$
- **Material :** ALUMINUM (6061T6)

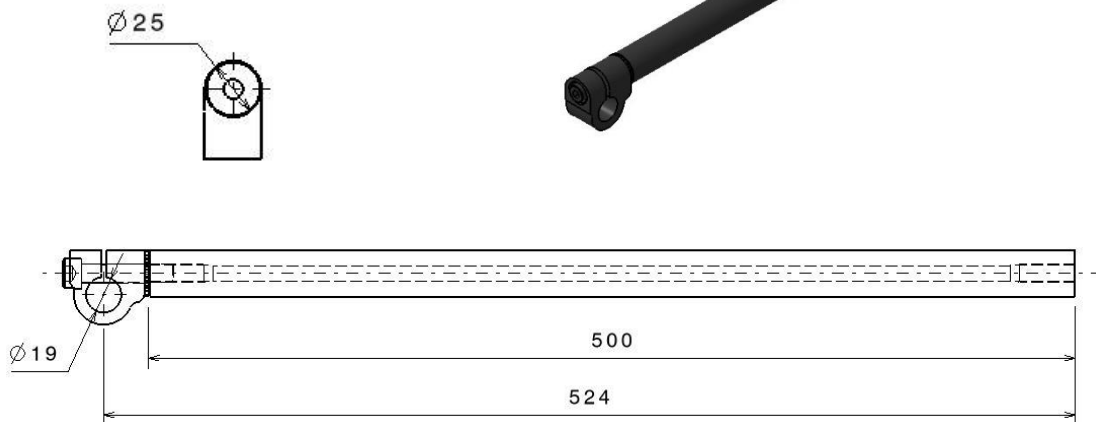


Part Name: - ROD 500

Part No: - SAPL-SA-U19-D25X500

◆ **Specification:**

- **Dimensions :**  $\varnothing 25 \times 500 \text{MM}$
- **Material :** ALUMINUM (6061T6)





---

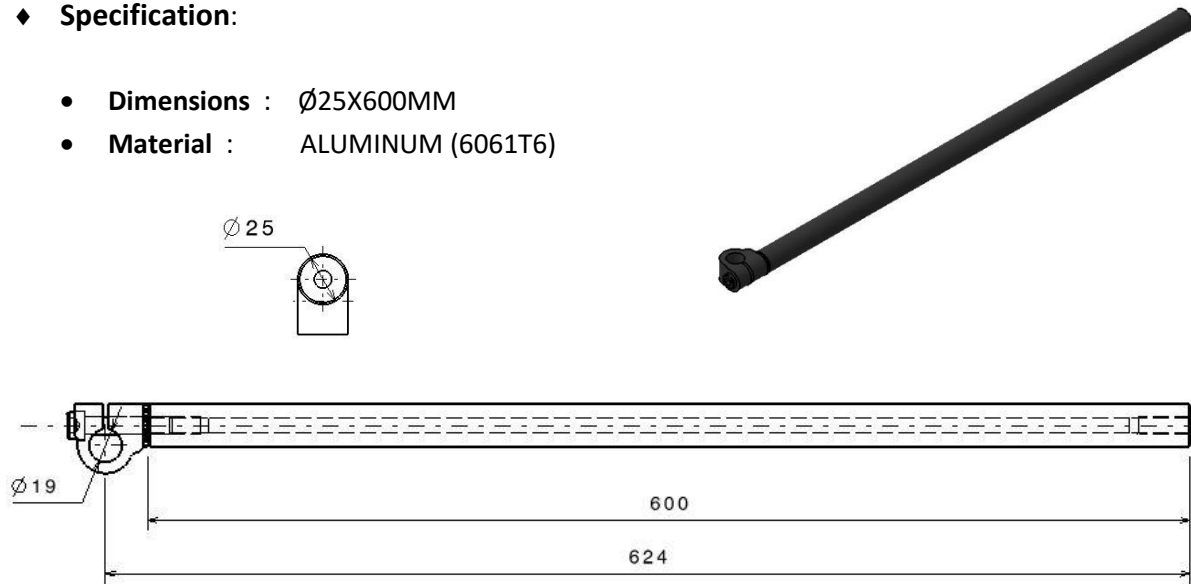
Part Name: - ROD 600

Part No: - SAPL-SA-U19-D25X600

---

◆ **Specification:**

- **Dimensions :**  $\varnothing 25 \times 600 \text{MM}$
- **Material :** ALUMINUM (6061T6)



---

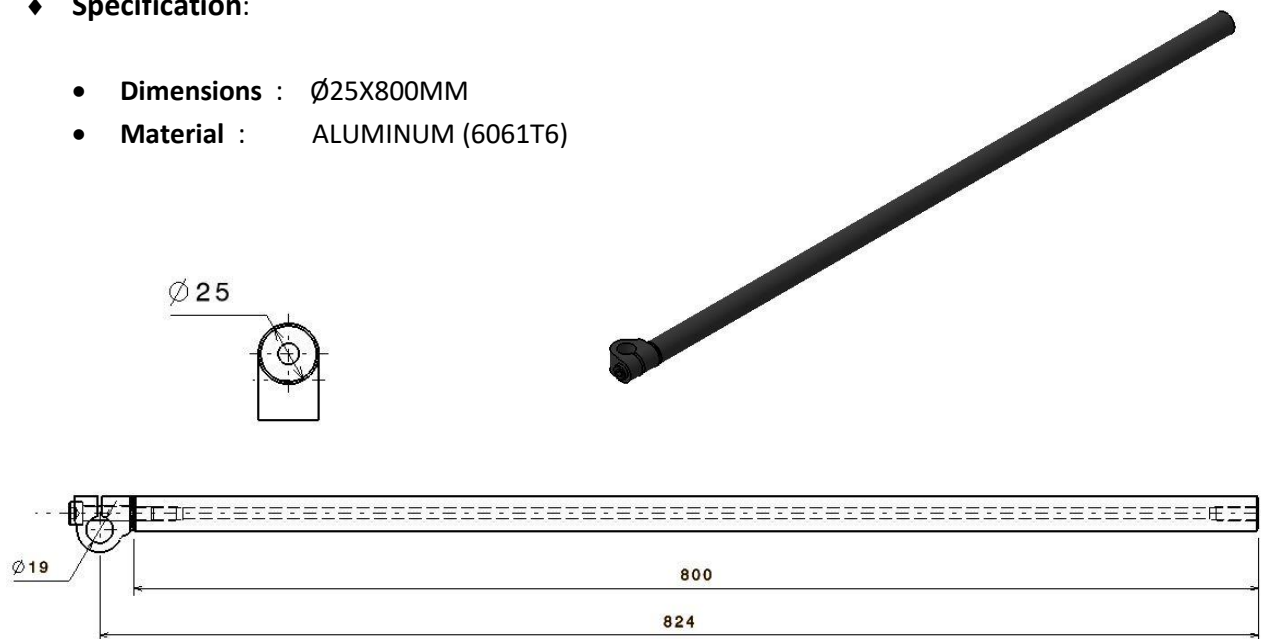
Part Name: - ROD 800

Part No: - SAPL-SA-U19-D25X800

---

◆ **Specification:**

- **Dimensions :**  $\varnothing 25 \times 800 \text{MM}$
- **Material :** ALUMINUM (6061T6)

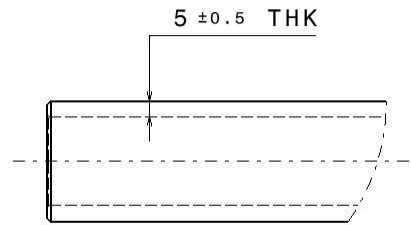
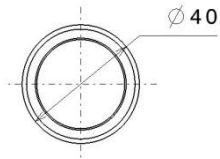


Part Name: - PIPE D40

Part No: - SAPL-P-D-40

◆ **Specification:**

- **Dimensions :**  $\varnothing 40 \times 5 \times 500 \sim 3000$  MM
- **Material :** ALUMINUM (6061T6)

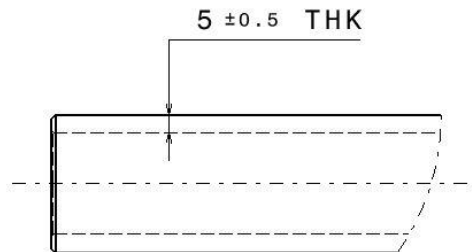
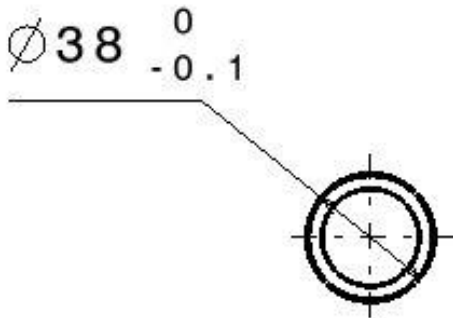


Part Name: - PIPE D38

Part No: - SAPL-P-D-38

◆ **Specification:**

- **Dimensions :**  $\varnothing 38 \times 5 \times 1000 \sim 3000$  MM
- **Material :** ALUMINUM (6061T6)

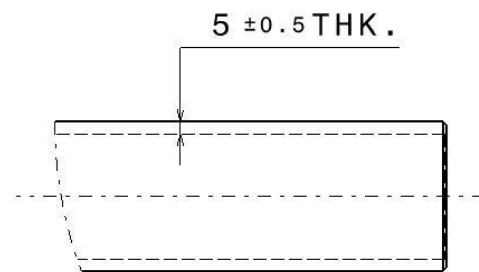
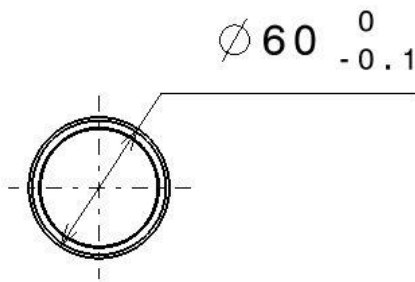


Part Name: - PIPE D60

Part No: - SAPL-P-D-60

◆ **Specification:**

- **Dimensions :**  $\varnothing 60 \times 5 \times 1000 \sim 3000$  MM
- **Material :** ALUMINUM (6061T6)

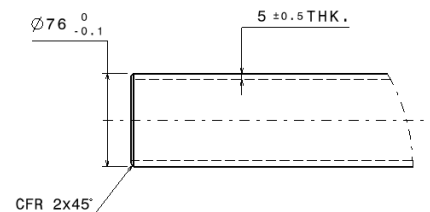
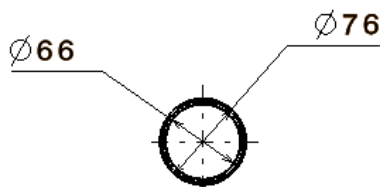


Part Name: - PIPE D76

Part No: - SAPL-P-D-76

◆ **Specification:**

- **Dimensions :**  $\varnothing 76 \times 5 \times 1000 \sim 3000$  MM
- **Material :** ALUMINUM (6061T6)

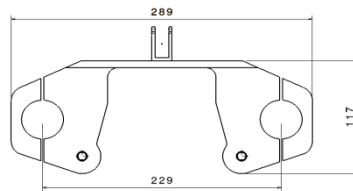
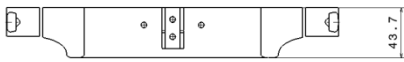
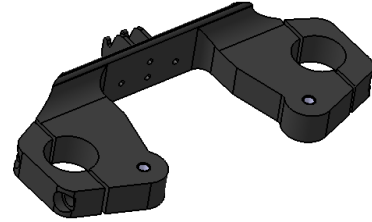


Part Name: - SADDLE

Part No: - SAPL-SADDLE-D40-001

◆ **Specification:**

- **Dimensions :** 44X117X289 MM
- **Material :** ALUMINUM (6061T6)
- **Part Weight:** 1.030 Kg.
- **Hardware :** Allen Bolt M10X1.5

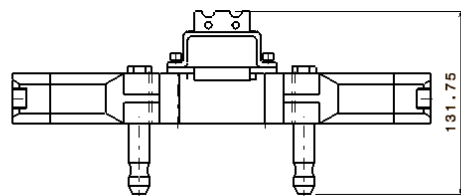
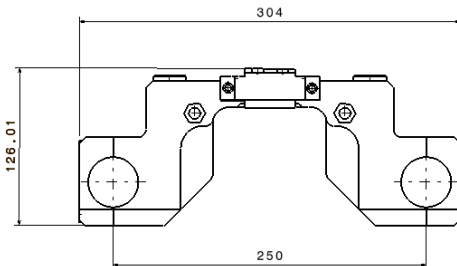
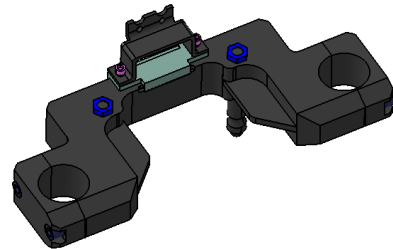


Part Name: - SADDLE

Part No: - SAPL-SADDLE-D40-002

◆ **Specification:**

- **Dimensions :** 304X126X131.75
- **Material :** ALUMINUM (6061T6)
- **Part Weight:** 1.030 Kg.
- **Hardware :** Allen Bolt M10X1.5

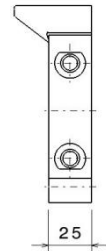
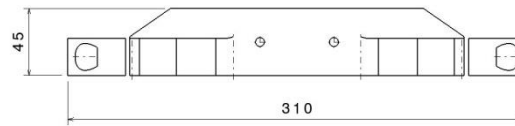
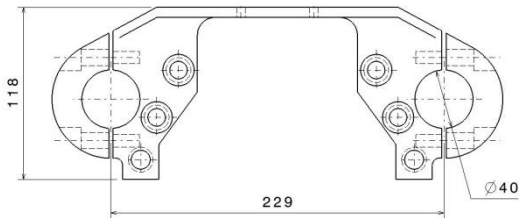
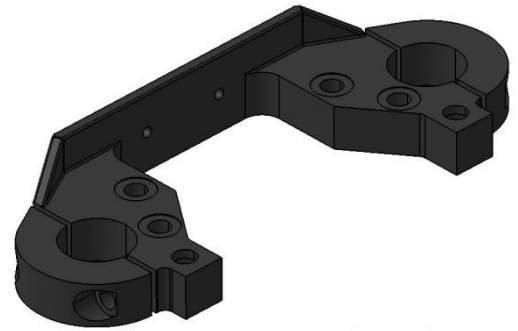


Part Name: - SADDLE

Part No: - SAPL-SADDLE-D40-003

◆ **Specification:**

- **Dimensions :** 45X118X310 MM
- **Material :** ALUMINUM (6061T6)
- **Part Weight:** 0.94 Kg.
- **Hardware:** Allen Bolt M10X1.5

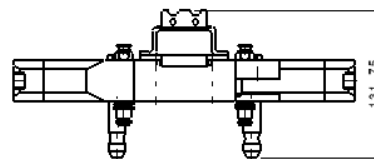
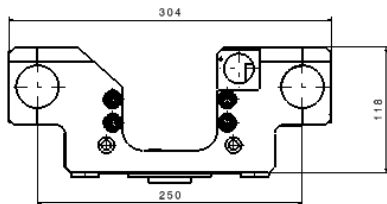
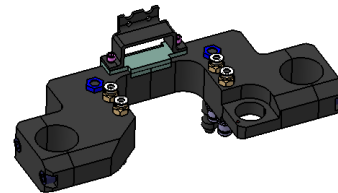


Part Name: - SADDLE

Part No: - SAPL-SADDLE-D40-004

◆ **Specification:**

- **Dimensions :** 36X118X304 MM
- **Material :** ALUMINUM (6061T6)
- **Part Weight:** 1.5 Kg.
- **Hardware:** Allen Bolt M10X1.5

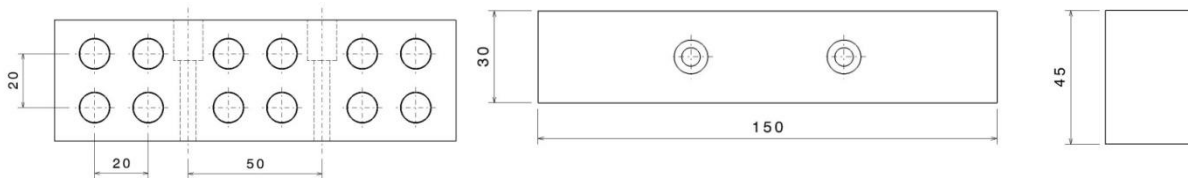
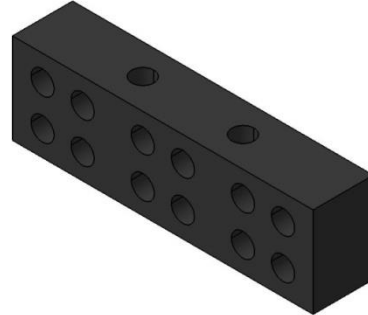


Part Name: - MANIFOLD BLOCK

Part No: - SAPL-MB-001

◆ **Specification:**

- **Dimensions :** 30X45X150 MM
- **Material :** ALUMINUM (6061T6)
- **Part Weight:** 0.450 Kg.

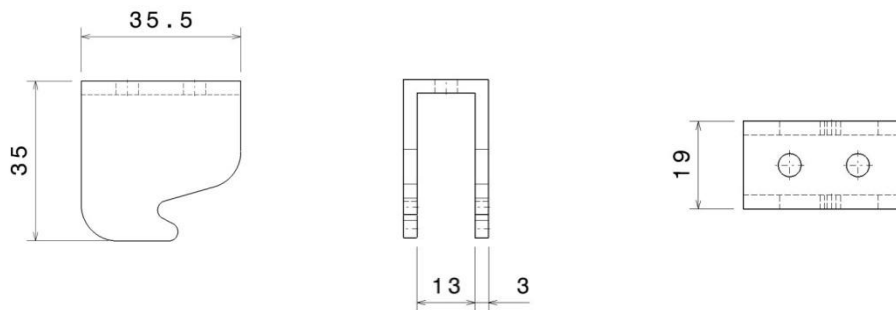
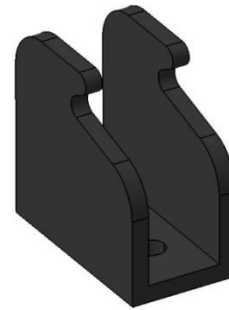


Part Name: - BRACKET FOR SADDLE

Part No: - SAPL-BFS-001

◆ **Specification:**

- **Dimensions :** 19X35X35.5 MM
- **Material :** MS
- **Part Weight:** 0.06 Kg.

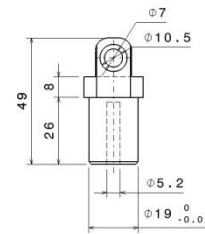
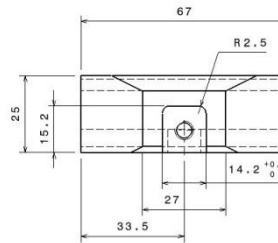
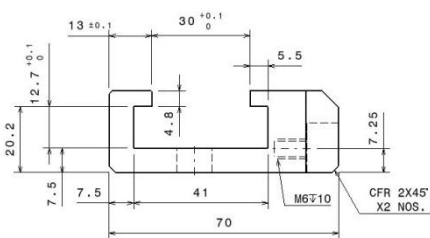
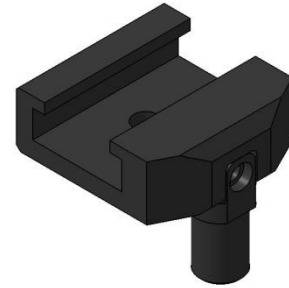


Part Name: - DBD MOUNTING BLOCK

Part No: - SAPL-DBD-MB-001

◆ **Specification:**

- **Dimensions :** 70X67X25 MM
- **Material :** ALUMINUM (6061T6)
- **Material for Pin:** 20mnCr5
- **Part Weight:** 0.28 Kg.

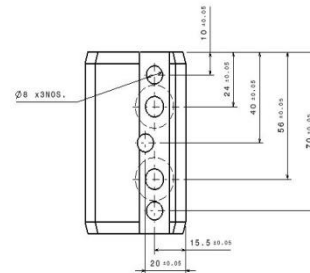
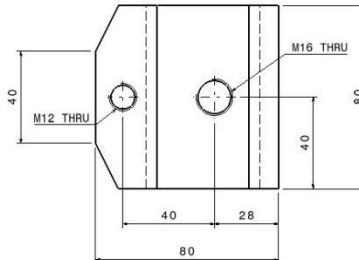
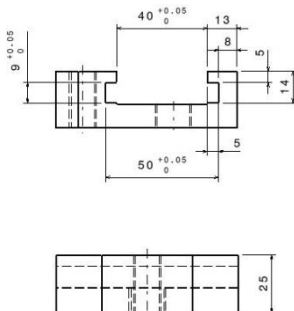
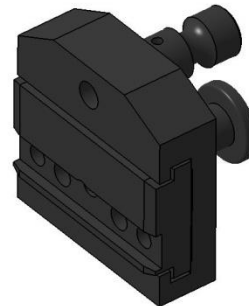


Part Name: - DBD MOUNTING BLOCK

Part No: - SAPL-DBD-MB-002

◆ **Specification:**

- **Dimensions :** 70X67X25 MM
- **Material :** SS304
- **Material for Pin:** EN8
- **Part Weight:** 0.88 Kg.

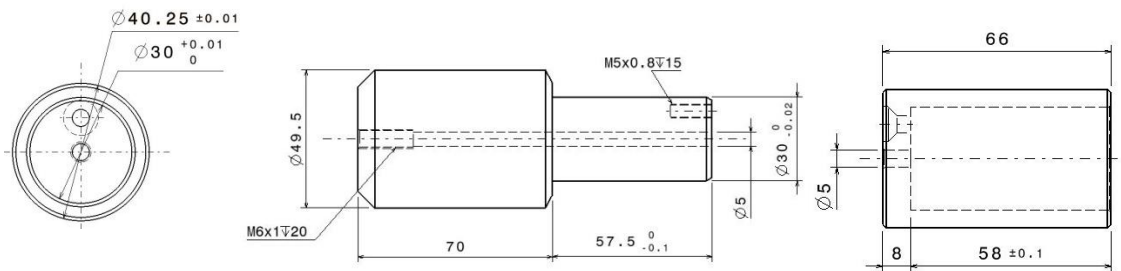


Part Name: - DIE MOUNTING PIN & BUSH

Part No: - SAPL-DIE-MPB-001

◆ **Specification:**

- **Dimensions :** D49.5X136 MM
- **Material :** EN8
- **Material for Bush:** Gunmetal
- **Part Weight:** 1.68 Kg.

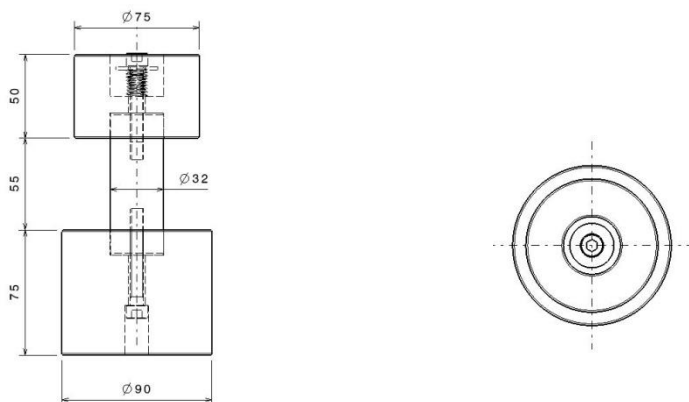


Part Name: - DIE RESTING BLOCK

Part No: - SAPL-DRB-001

◆ **Specification:**

- **Dimensions :** D90X180 MM
- **Material :** ALUMINUM (6061T6)
- **Part Weight:** 2 Kg.



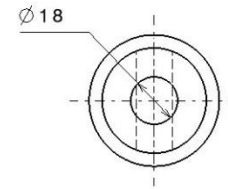
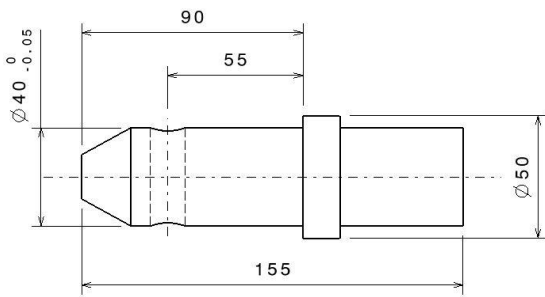


Part Name: - MOUNTING PIN

Part No: - SAPL-MP-001

◆ **Specification:**

- **Dimensions :** D49.5X136 MM
- **Material :** MS
- **Part Weight:** 1.48 Kg.

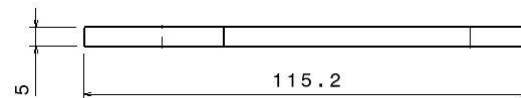
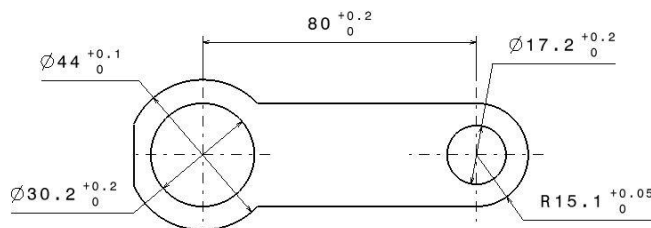


Part Name: - SENSOR MOUNTING BRACKET

Part No: - SAPL-SMB-001

◆ **Specification:**

- **Dimensions :** 115.2X44x5 MM
- **Material :** MS
- **Part Weight:** 0.107 Kg.

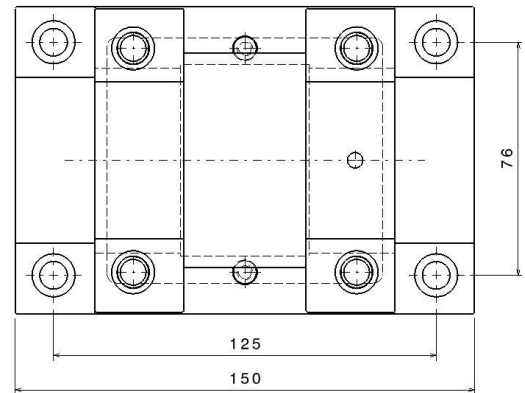
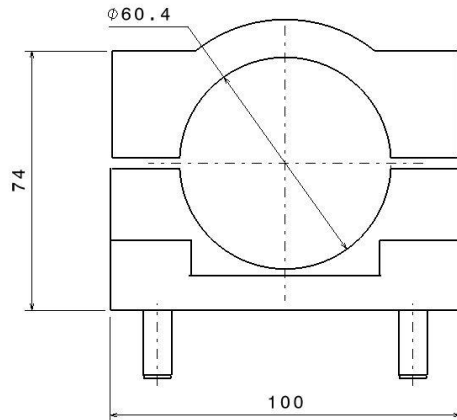
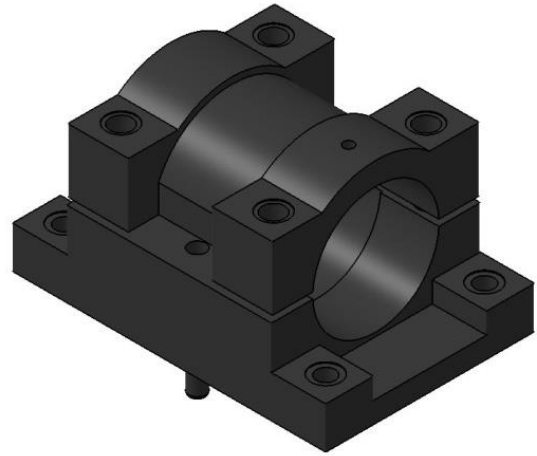


Part Name: - END MOUNTING 001

Part No: - SAPL-END-MTG-D-76-001

◆ **Specification:**

- **Dimensions :** D60X100X150 MM
- **Material :** ALUMINUM (6061T6)
- **Part Weight:** 1.05 Kg.

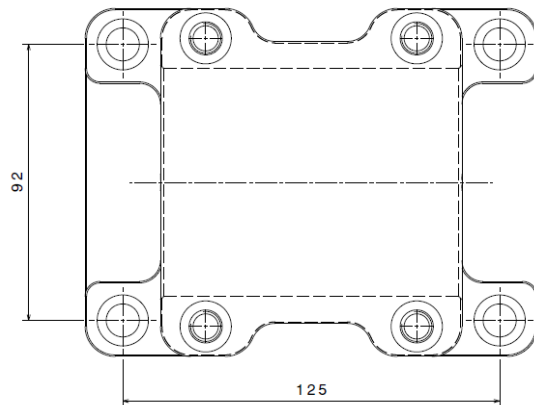
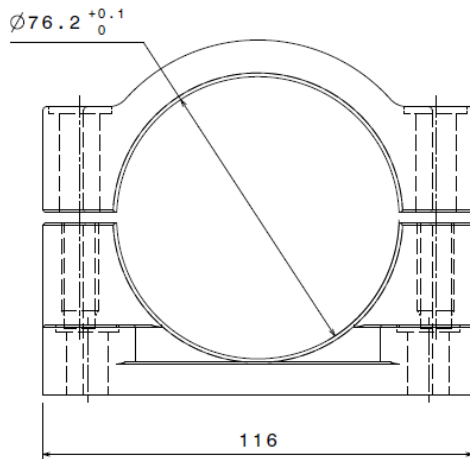
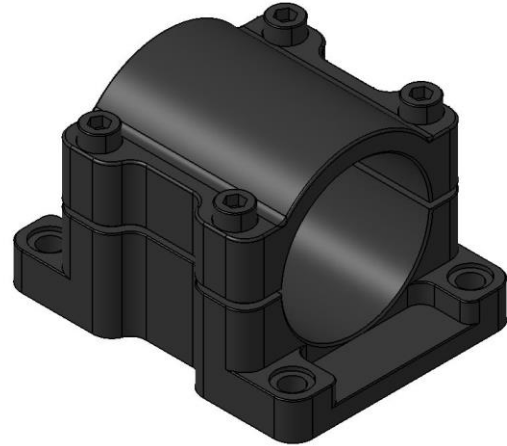


Part Name: - END MOUNTING 002

Part No: - SAPL-END-MTG-D-76-002

◆ **Specification:**

- **Dimensions :** D76X116X150 MM
- **Material :** ALUMINUM (6061T6)
- **Part Weight:** 1.4 Kg.

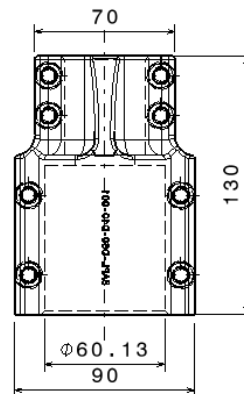
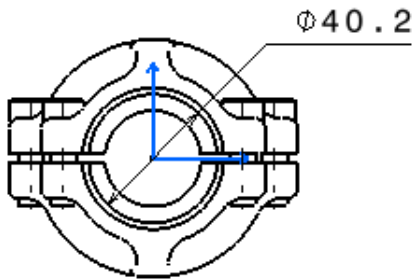
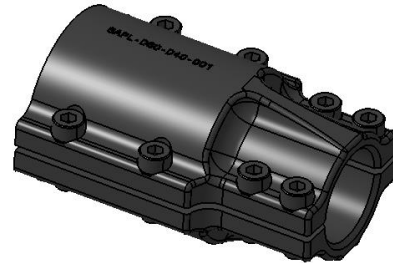


Part Name: - COLINEAR CONNECTOR

Part No: - SAPL-D60-D40-001

◆ **Specification:**

- **Dimensions :** D-60 D-40 90X130X74
- **Material :** ALUMINUM (6061T6)
- **Part Weight :** 0.737 KG
- **HARDWARE :** ALLEN HD M8X25

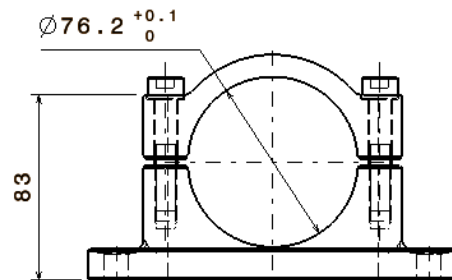
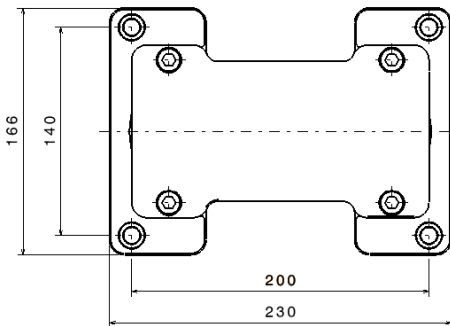
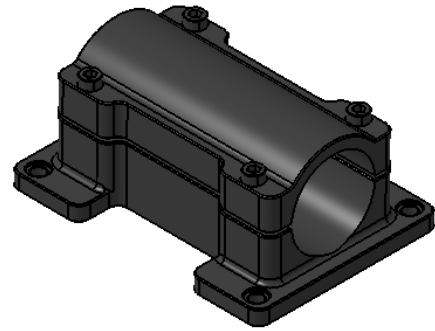


Part Name: - END MOUNTING

Part No: - SAPL-END-MTG-D-76-003

◆ **Specification:**

- **Dimensions :** 230X166X101
- **Material :** ALUMINUM (6061T6)
- **Part Weight :** 3.03KG
- **HARDWARE :** ALLEN HD M10X50



Part Name: - END MOUNTING

Part No: - SAPL-END-MTG-D-60-001

◆ **Specification:**

- **Dimensions :** 150x100x83
- **Material :** ALUMINUM (6061T6)
- **Part Weight :** 1.03KG
- **HARDWARE :** ALLEN HD M10X60

